

Operating system not included.

Welcome to Predator PG-20 Kit

Important Safety Instructions

Thank you for your purchase of the Predator PG-20 kit.
To ensure your safety and trouble free usage of your product, please read these important safety instructions carefully before you begin.

1. Read these instructions.
2. Keep these instructions.
3. Heed all warnings.
4. Follow all instructions.
5. Do not use this apparatus near water.
6. Clean only with dry cloth.
7. Do not block any ventilation opening.

Electrostatic-Sensitive Device (ESD) Warning

Please wear a properly grounded ESD wristband before handling a device susceptible to electrostatic discharge. Failure to do so may result in electrostatic discharge penetrating sensitive devices and causing malfunction.

ESD processes will be marked with this symbol.
Proceed with caution when you see this symbol.

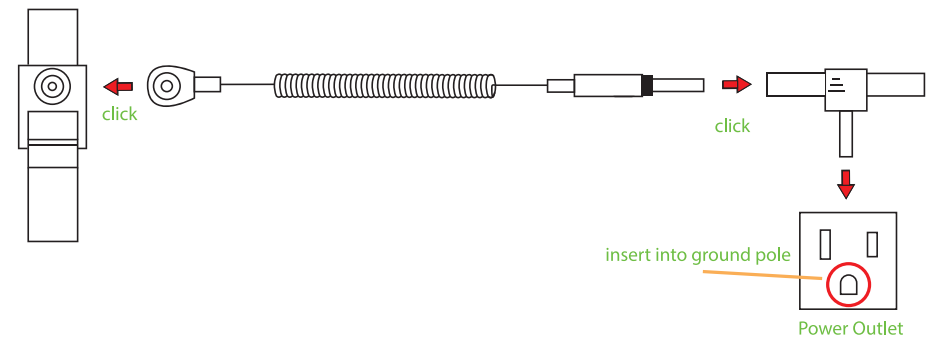


Before you start:

1. Find a large, clean, and flat work space. Use an ESD pad, if possible.
2. Follow the unpacking procedure to ensure all parts are present.
3. Some parts may look very similar, such as screws. Ensure you use the correct one by referring to the parts list and labeling.
4. Additional information can be found at www.acer.com/support under Predator.

Wearing ESD wristband

Wearing ESD wristband, connect the cord to both wristband and ground conductor. Then insert the conductor to ground pole of power outlet.

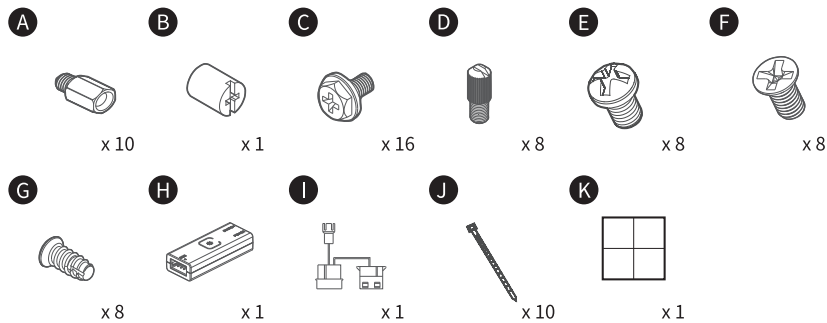


Predator PG-20 Parts list

Case:

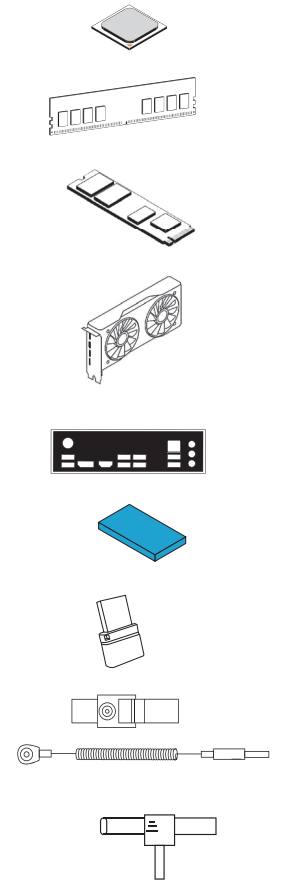
- Case *1
- X570 MB*1
- Screws Package *1

This package is located under the PSU cover of the case. It includes the following items:



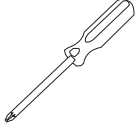
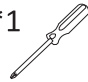
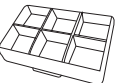



Accessories box:

- AMD Ryzen 2 R7-3700X CPU *1
- 8GB DDR4-2666 memory *2
- 512 GB M.2 NVMe SSD*1
- Nvidia GeForce RTX 2060 Super *1
(Actual product may differ by model)
- I/O bracket for X570MB*1
- Thermal Pad *1
- 32 GB USB Flash Drive *1
- ESD wristband with cord *2
- ESD wristband ground conductor *1

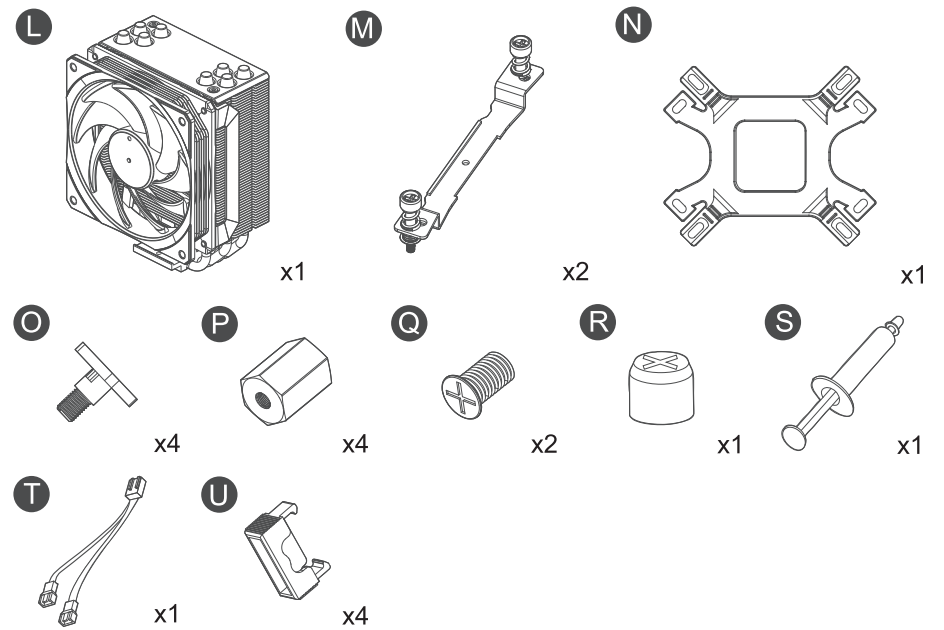


Accessories box (continues):

- Gloves *2 (pairs) 
- Screws*3 for M.2 devices 
- Phillips screwdriver, PH #2, 150mm *1 
- Phillips screwdriver, PH #1 ESD safe, 60mm *1 
- Organizer box *1 
- Predator stickers *2 

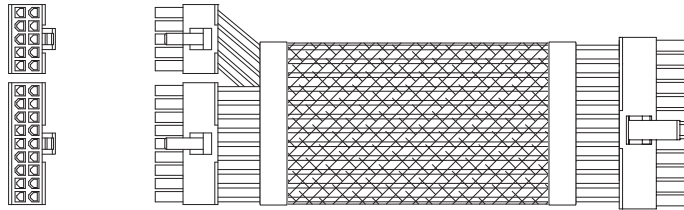
CPU Cooler

These are the items included with the CPU Cooler package.

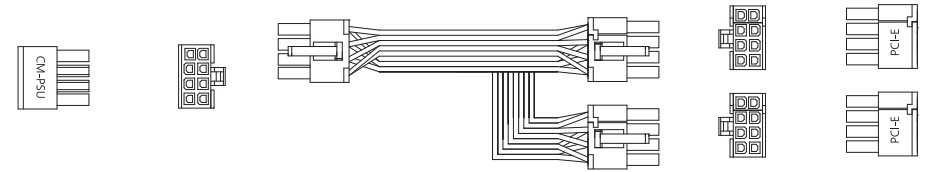


Power Supply Unit:

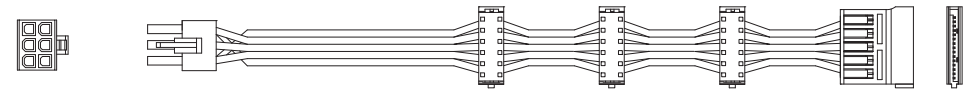
- 650W fully modular power supply*1
- US power cord *1
- Screws *4
- ATX (20+4) WB [18pin + 10 pin and 24pin] *1



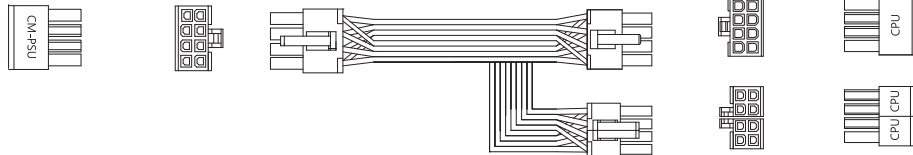
- PCIe (8pin and two 6+2 pin) *2



- SATA (for SATA) *2

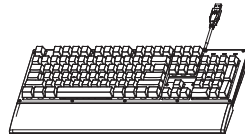


- CPU (8pin and 8pin +8pin)*1



Others:

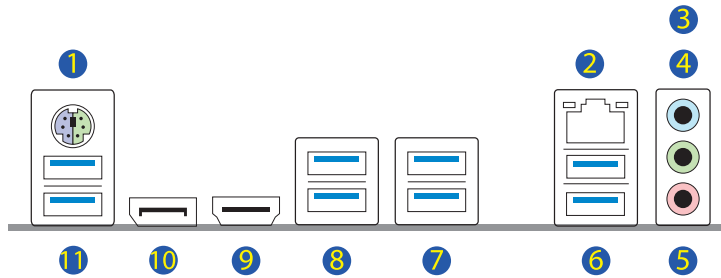
- Predator keyboard *1
- Predator mouse *1
- Predator mouse pad *1
- Poster *1
- Assembly manual *1
- Warranty booklet *1



X570 motherboard technical specification

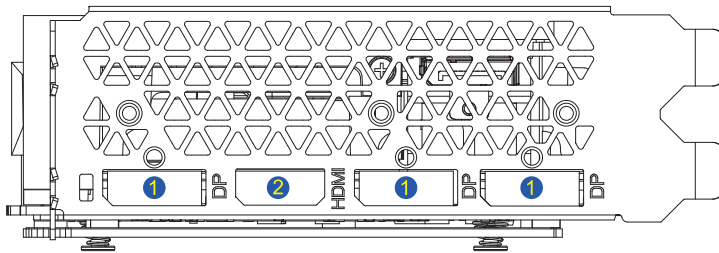
- ATX Form Factor: 12.0-in x 9.0-in (30.5 cm x 22.9 cm).
- AMD X570 chipset supports AMD AM4 Socket Ryzen™ 2000 and 3000 Series processors.
- 2 PCIe 4.0 x16, 2 PCIe 4.0 x1, 1 M.2(Key E) For Wi-Fi.
- 7.1 CH HD Audio (Realtek ALC1200 Audio Codec), ELNA Audio Caps.
- 8 SATA3, 1 Hyper M.2 (PCIe Gen4 x4 & SATA3), 1 Hyper M.2 (PCIe Gen4 x4).
- USB 3.2 Gen2 (Rear Type-A), 10 USB 3.2 Gen1 (4 Front, 6 Rear).
- Intel® Gigabit LAN (Intel® I211AT)

I/O Panel



No.	Description	No.	Description
1	PS/2 Mouse/Keyboard Port	7	USB 3.2 Gen2 Type-A Port (USB31_1_2)
2	LAN RJ-45 Port*	8	USB 3.2 Gen1 Ports (USB3_3_4)
3	Line In (Light Blue)	9	HDMI Port [disabled]
4	Front Speaker (Lime)	10	DisplayPort 1.2 [disabled]
5	Microphone (Pink)	11	USB 3.2 Gen1 Ports (USB3_1_2)
6	USB 3.2 Gen1 Ports (USB3_5_6)		

Video Card

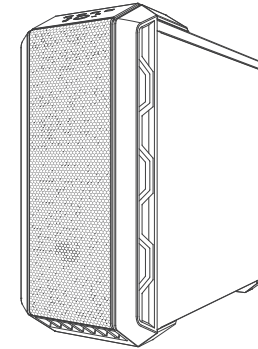


1 DisplayPort 1.4 2 HDMI 2.0b

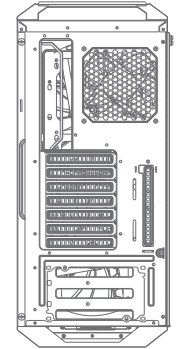
Case:



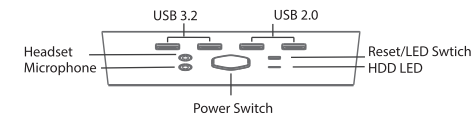
Front View



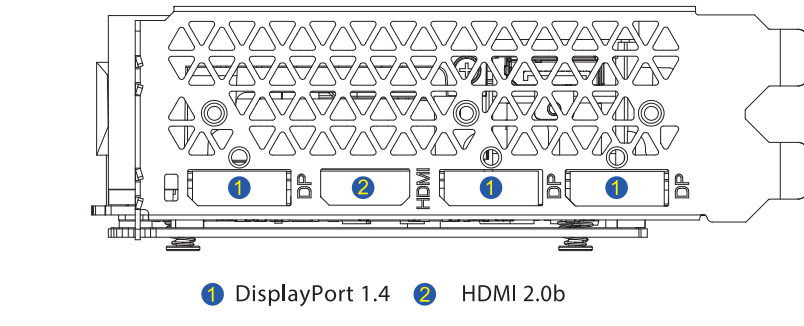
Side View



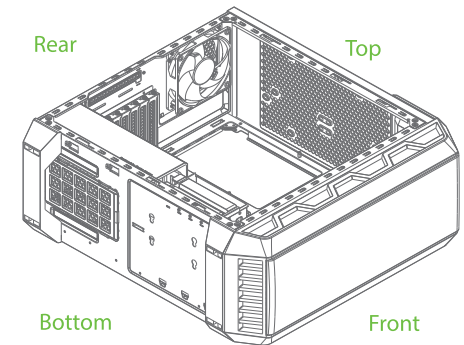
Rear View



Power Switch



Inside View



Rear

Top

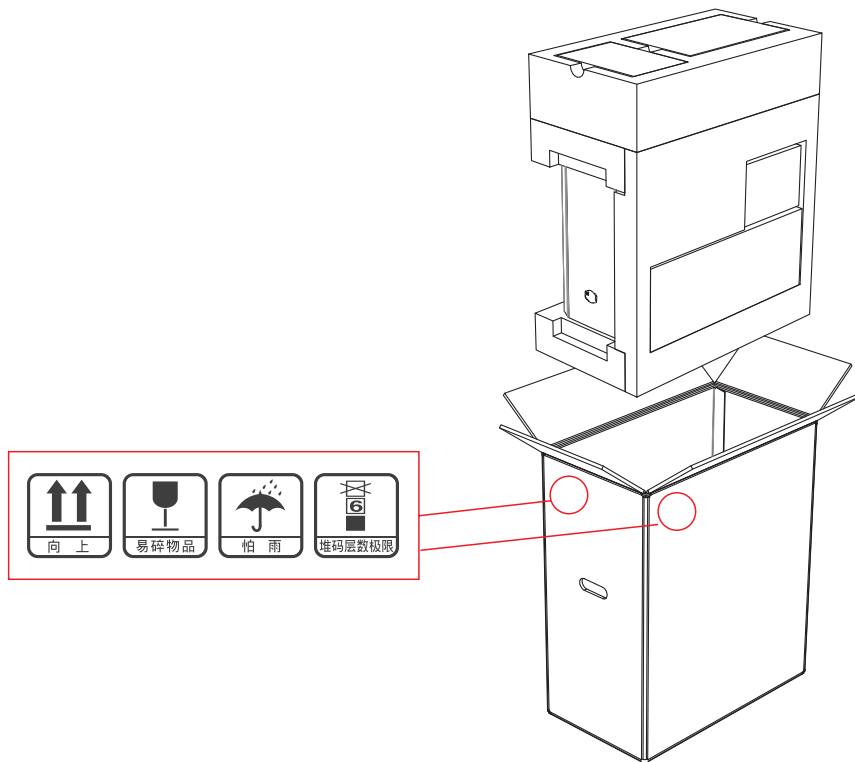
Bottom

Front

1. Unpack

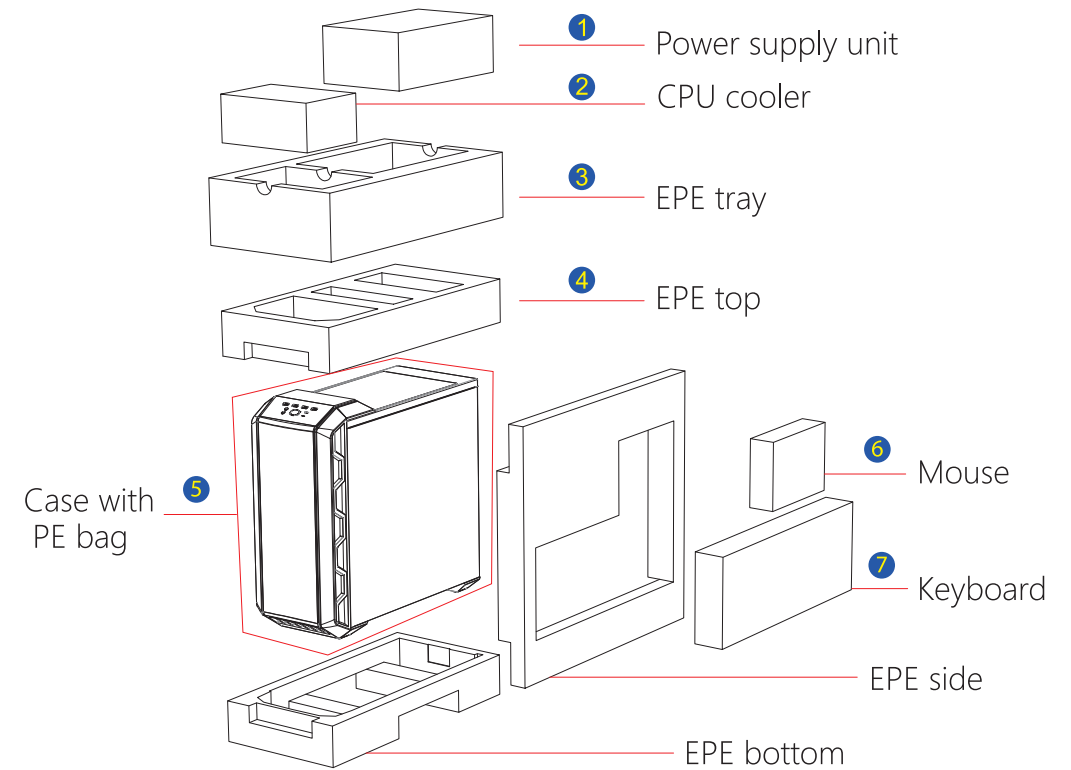
1.1 Open the box from the top

The top of the box is indicated as shown below.



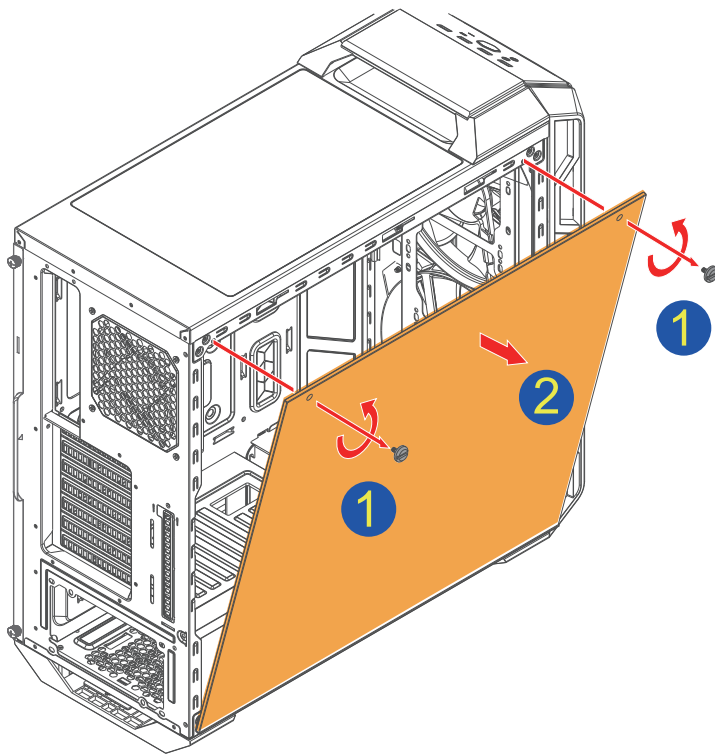
1.2: Remove parts

Follow the sequence to remove the parts. Ensure all parts are present. Remove the case with more than one person to ensure no damage occurs.



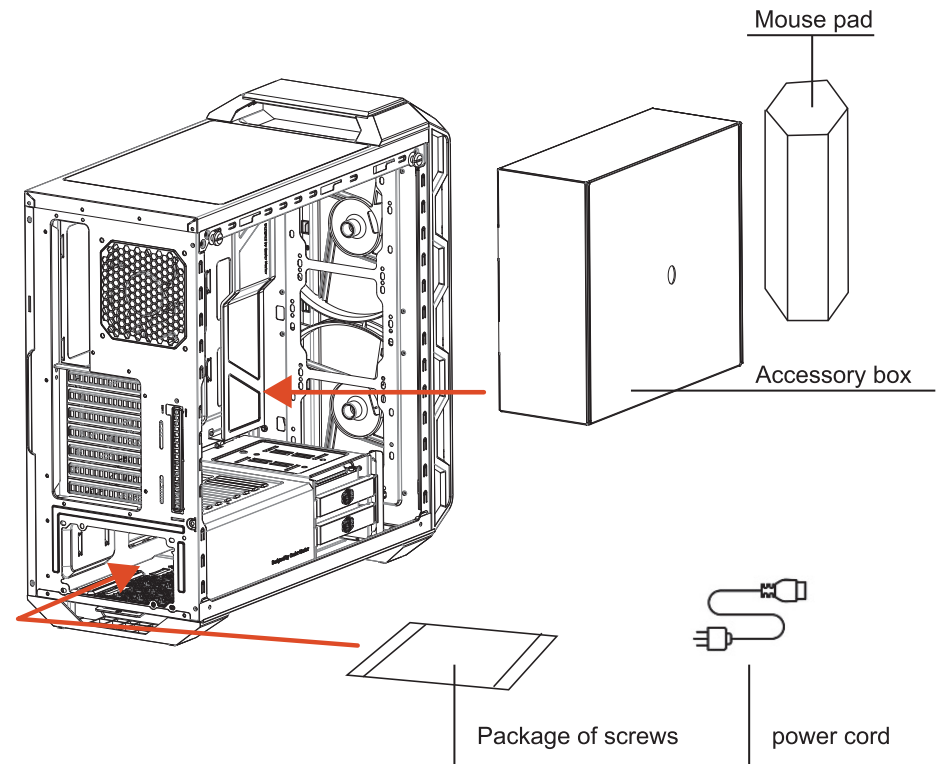
1.3: Remove the tempered glass

Loosen the screws and put the tempered glass aside in a safe place.



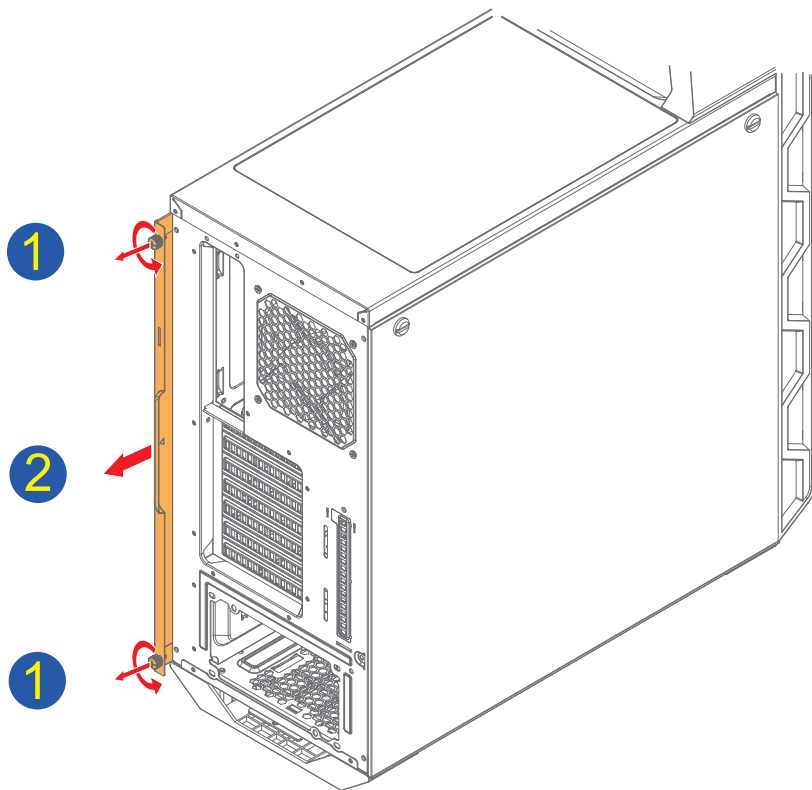
1.4: Remove the packages from the case

Take out the accessories box, mouse pad, and package of screws.



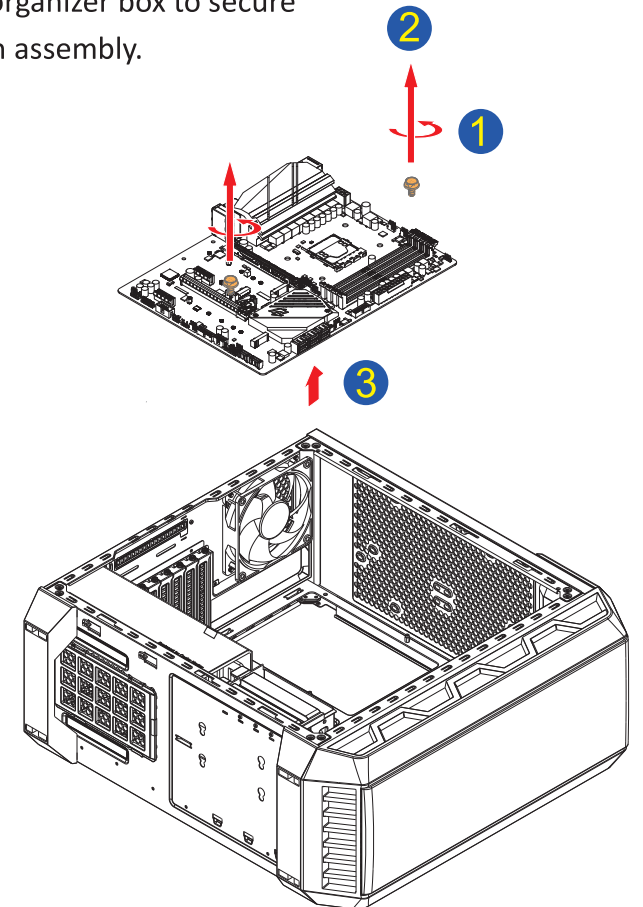
1.5: Remove the side panel

Use PH#2 screwdriver to remove both screws



1.6: Remove the motherboard

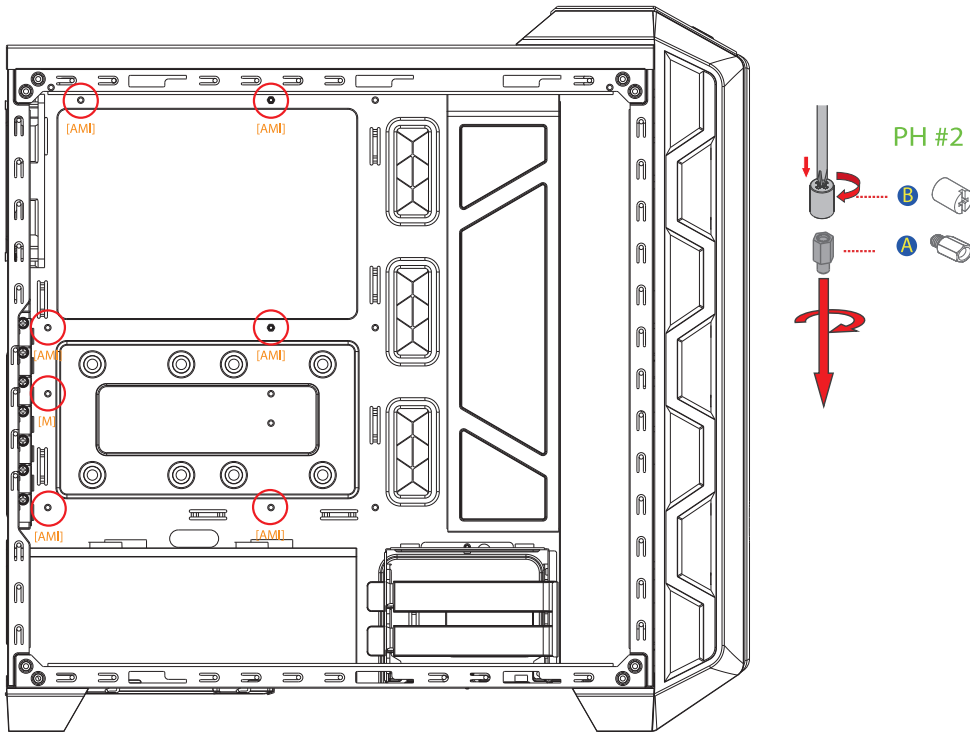
Use PH#2 screwdriver to remove screws (2) securing the motherboard. Place the screws in the organizer box to secure the motherboard later in assembly.



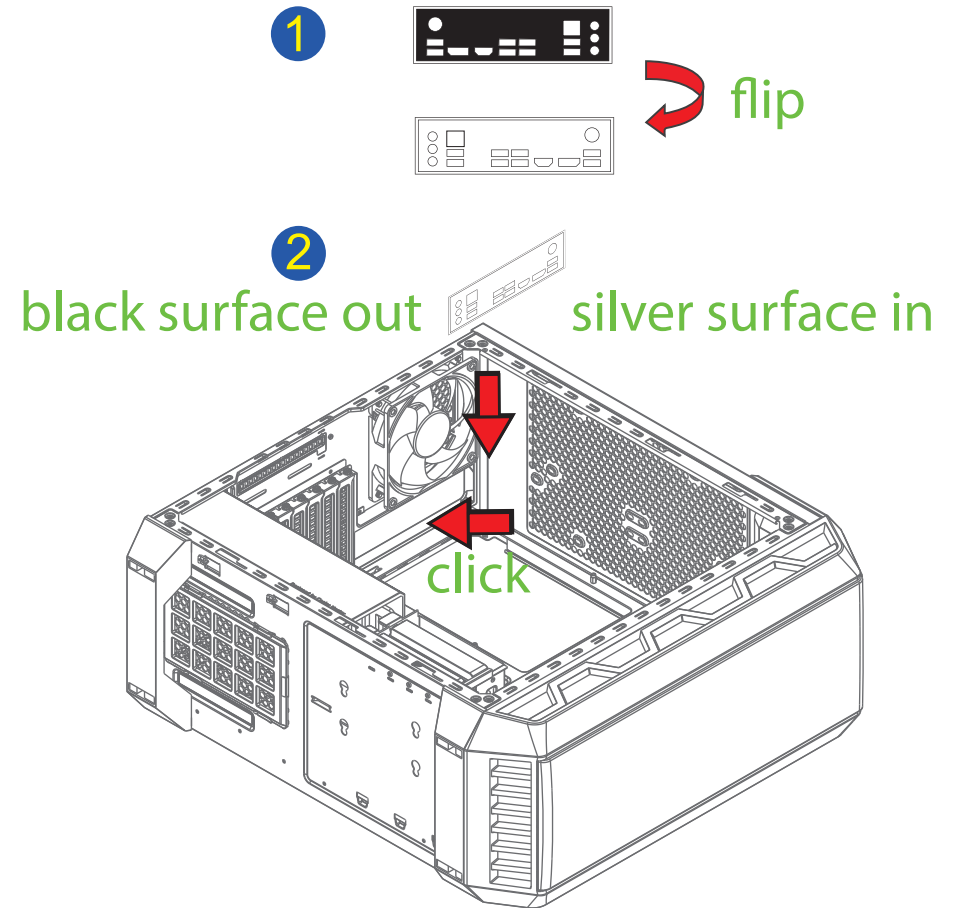
2. Assemble the system

2.1: Install motherboard pedestals

The pedestals should be pre-installed. Skip to 2.2 if installed.
If not, use PH#2 screwdriver with hex socket [B] to fasten pedestal [A] into case at the noted positions.

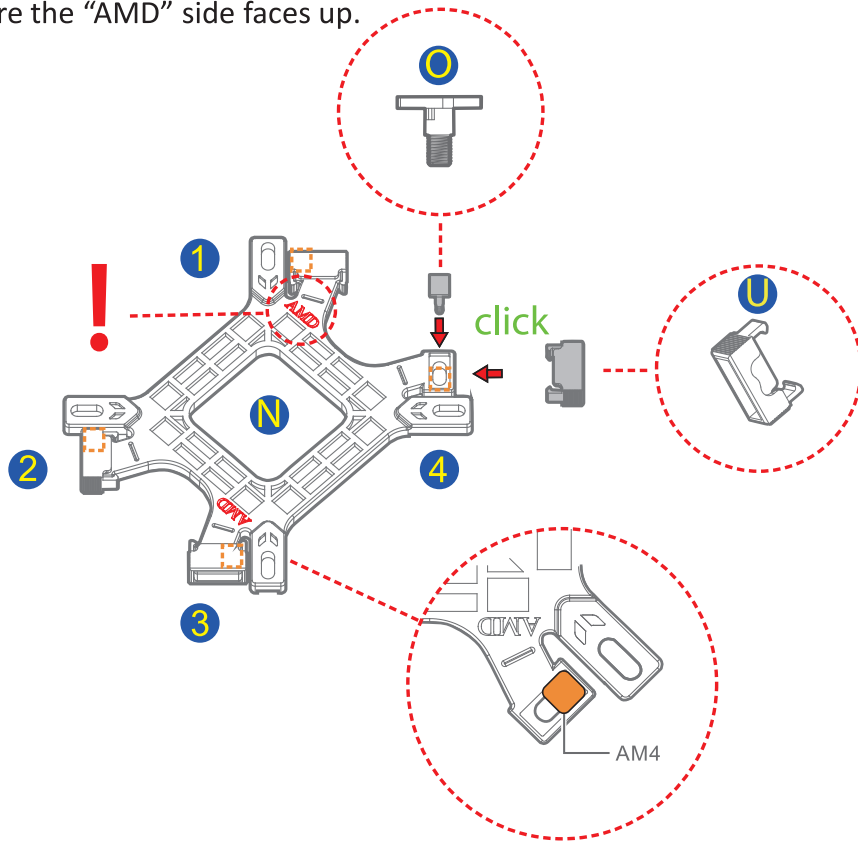


2.2: Install I/O bracket



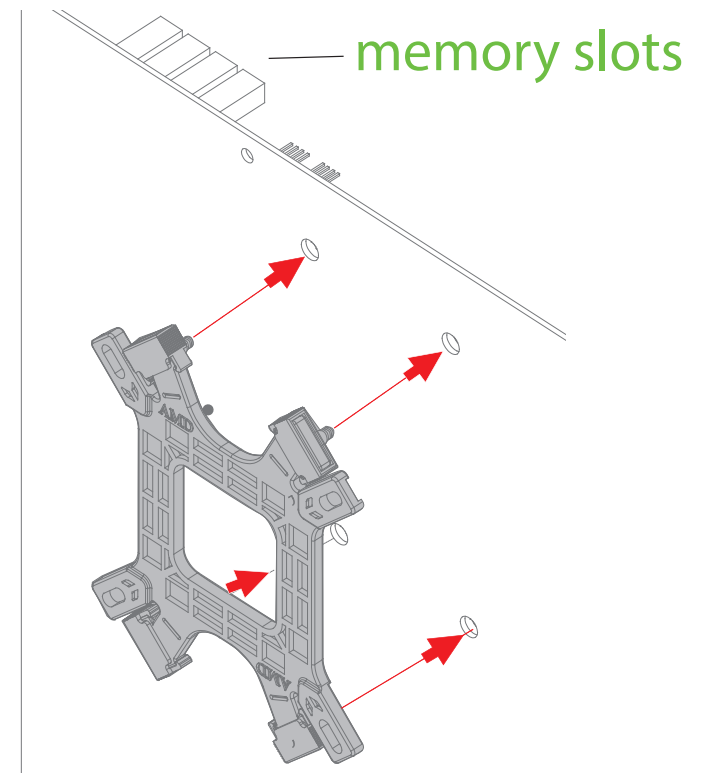
2.3: Assemble CPU cooler base

Assemble using parts from the CPU cooler kit, N, O, and U.
Insert part O into the slot, as shown, and cover with part U.
Ensure the “AMD” side faces up.



2.4: Attach CPU cooler base to motherboard

Attach the CPU cooler base to the bottom of the motherboard, as shown.

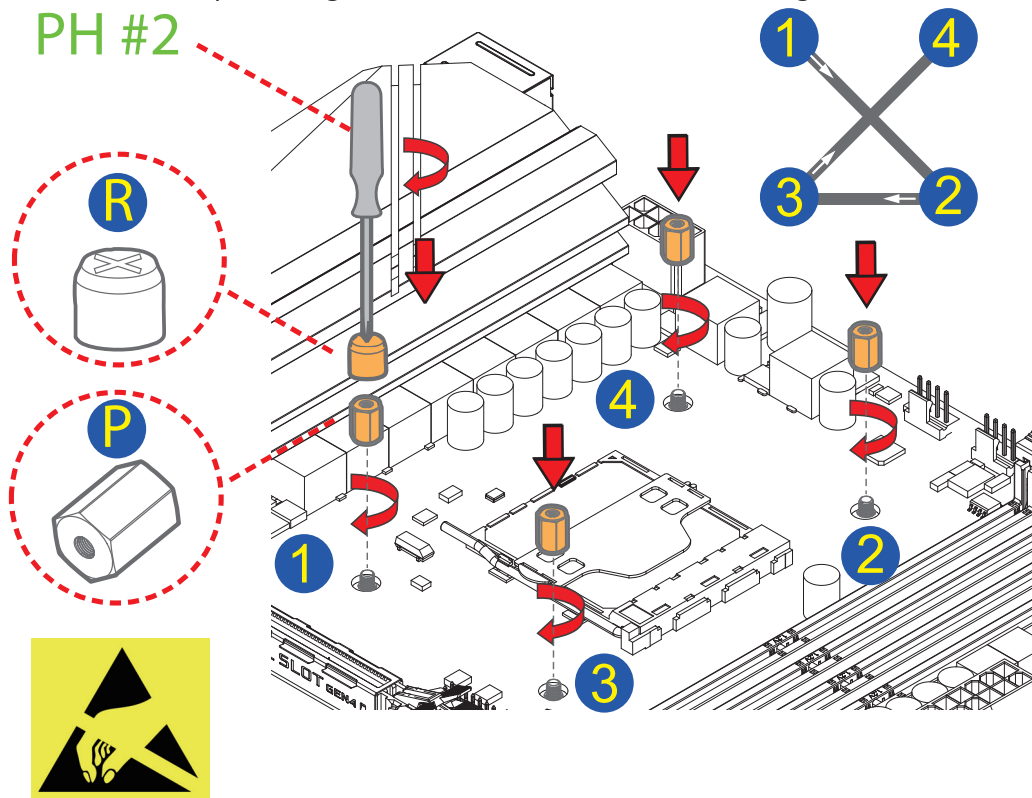


2.5: Secure the CPU cooler base

Parts from CPU cooler part R and P.

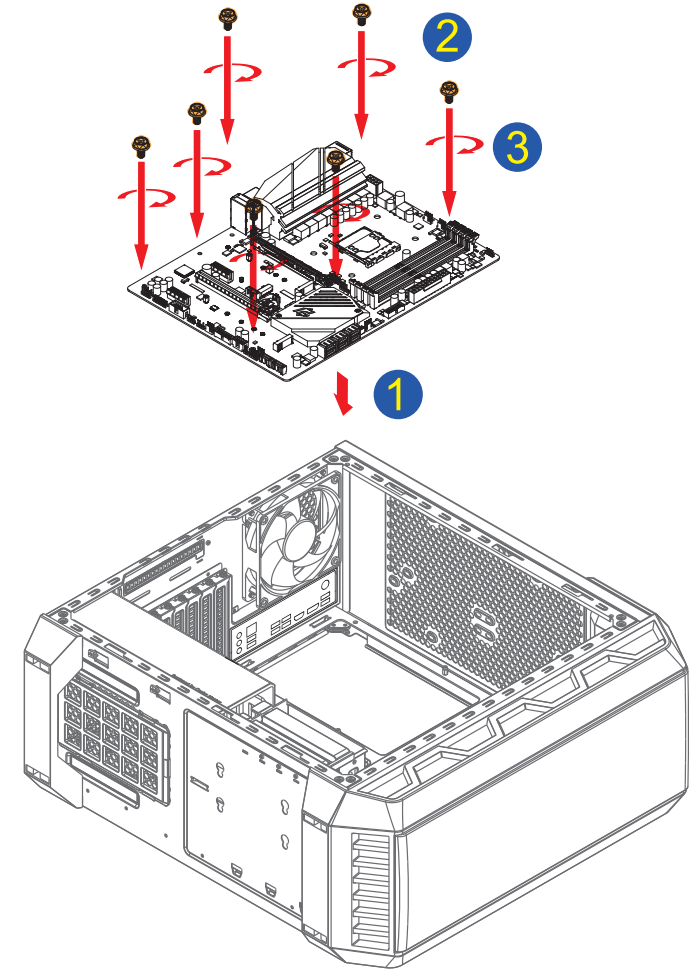
Using part R, follow the sequence to fasten the nuts (P). First time only fasten it halfway to three-quarters down. After you secure all four nuts, follow the sequence again until it is secure. Do not over tighten.

PH #2



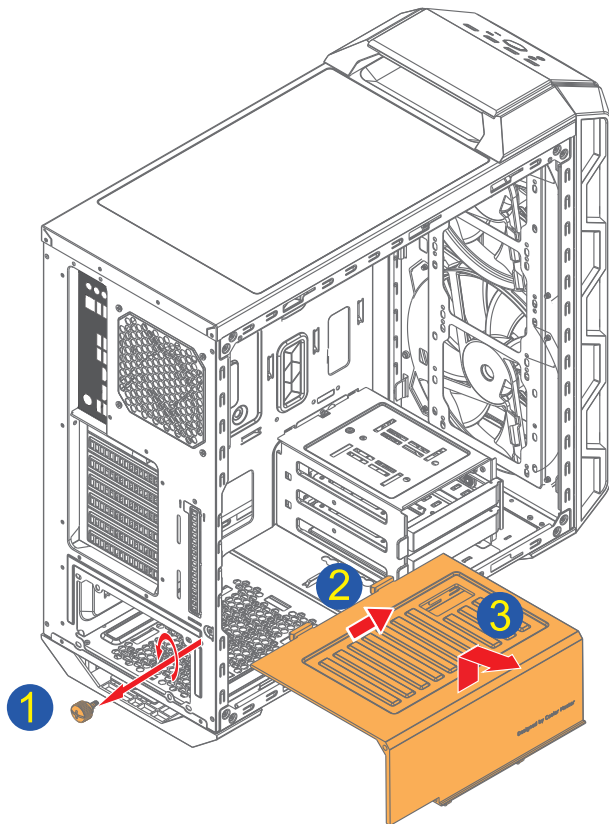
2.6: Install motherboard

Use screws C from the screw package (and from step 1.6).



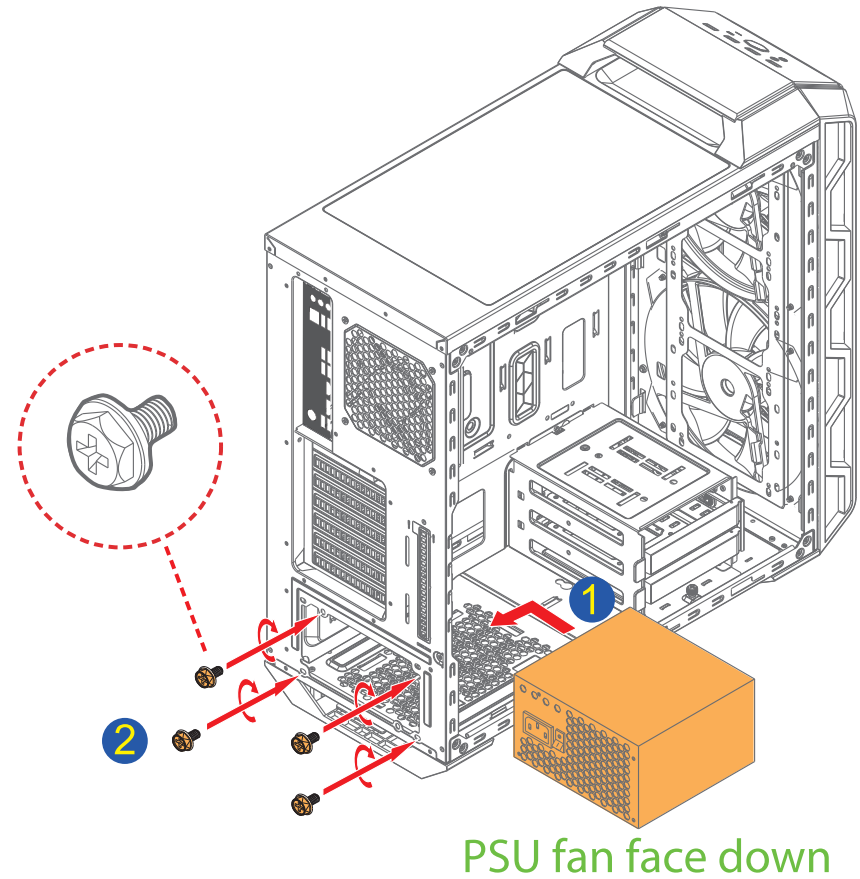
2.7: Remove power supply unit (PSU) cover

Retain the screw into organizer for later use.

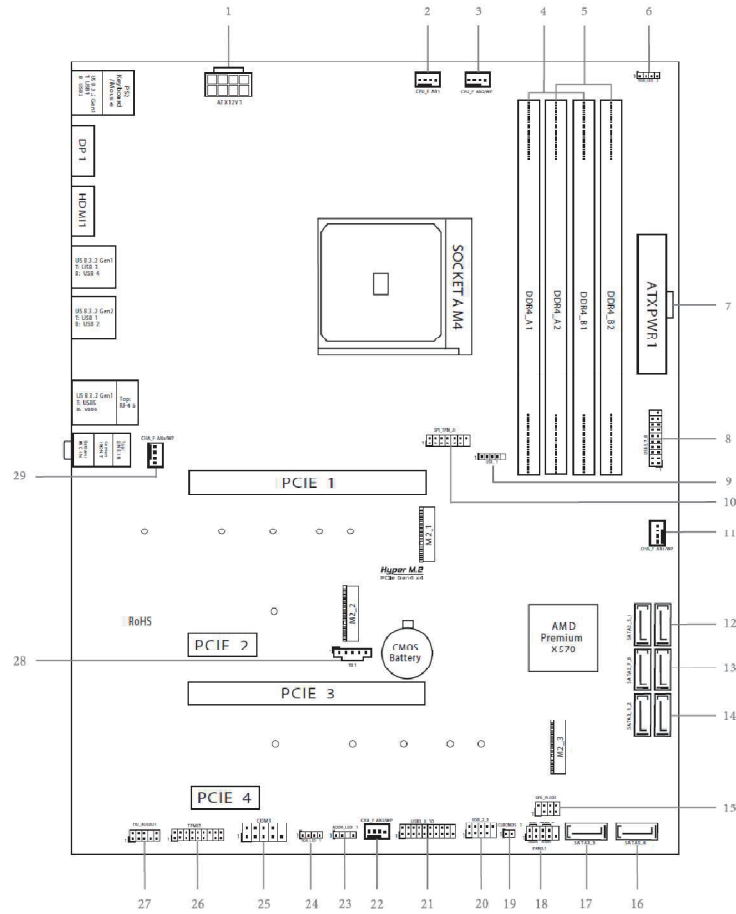


2.8: Install power supply unit (PSU)

Use the screws from the PSU package.



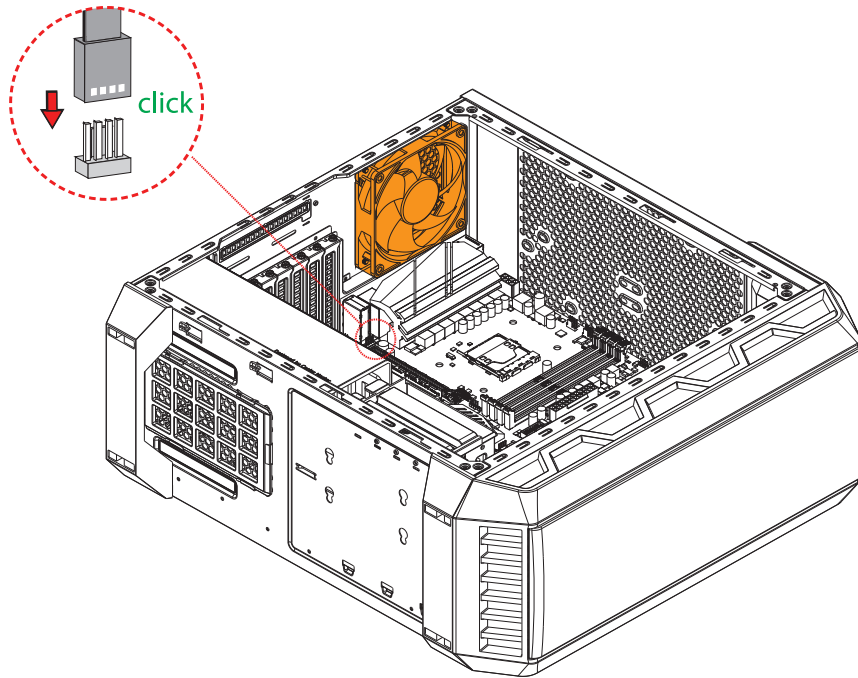
2.9: Motherboard layout with connectors



No.	Description
1	ATX 12V Power Connector (ATX12V1)
2	CPU Fan Connector (CPU_FAN1)
3	CPU Fan / Waterpump Fan Connector (CPU_FAN2/WP)
4	2 x 288-pin DDR4 DIMM Slots (DDR4_A1, DDR4_B1)
5	2 x 288-pin DDR4 DIMM Slots (DDR4_A2, DDR4_B2)
6	RGB LED Header (RGB_LED2)
7	ATX Power Connector (ATXPWR1)
8	USB 3.2 Gen1 Header (USB3_7_8)
9	AMD LED Fan USB Header (USB_1)
10	SPI TPM Header (SPI_TPM_J1)
11	Chassis Fan / Waterpump Fan Connector (CHA_FAN1/WP)
12	SATA3 Connector (SATA3_5_6)
13	SATA3 Connector (SATA3_7_8)
14	SATA3 Connector (SATA3_1_2)
15	Power LED and Speaker Header (SPK_PLED1)
16	SATA3 Connector (SATA3_4)
17	SATA3 Connector (SATA3_3)
18	System Panel Header (PANEL1)
19	Clear CMOS Jumper (CLRCMOS1)
20	USB 2.0 Header (USB_2_3)
21	USB 3.2 Gen1 Header (USB3_9_10)
22	Chassis Fan / Waterpump Fan Connector (CHA_FAN2/WP)
23	Addressable LED Header (ADDR_LED1)
24	RGB LED Header (RGB_LED1)
25	COM Port Header (COM1)
26	TPM Header (TPMS1)
27	Front Panel Audio Header (HD_AUDIO1)
28	Thunderbolt AIC Header (TB1)
29	Chassis Fan / Waterpump Fan Connector (CHA_FAN3/WP)

2.10: Connect the rear fan

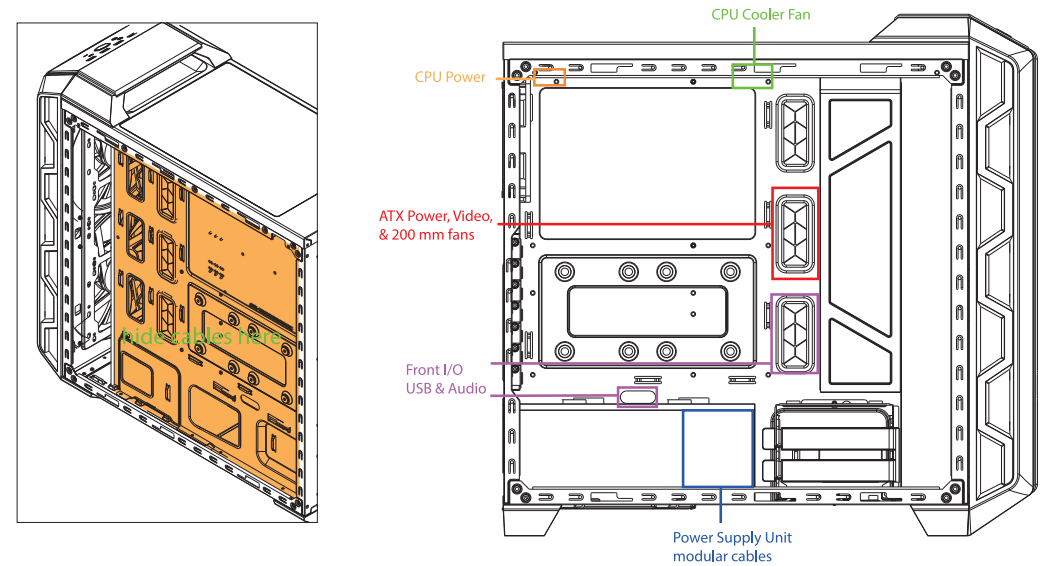
Connect to motherboard port #29, **Chassis Fan/Waterpump Fan Connector (CHA_FAN3/WP)**



2.11: Cable routing

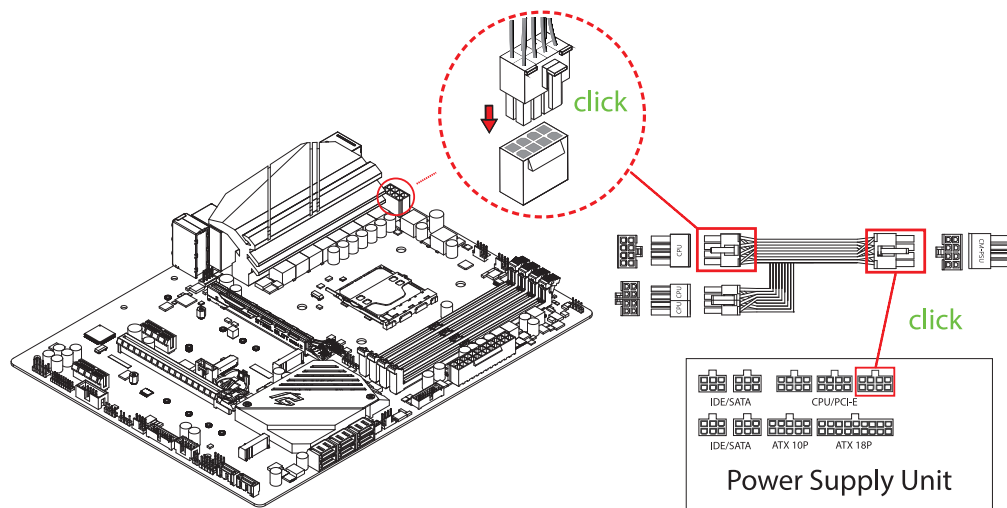
It is possible to route the cables through the positions shown below in order to 'hide' the cables on the 'back' of the motherboard plane. You can use small zip ties (part J) to bundle and secure the cables.

Here are some suggested locations for routing the cables.



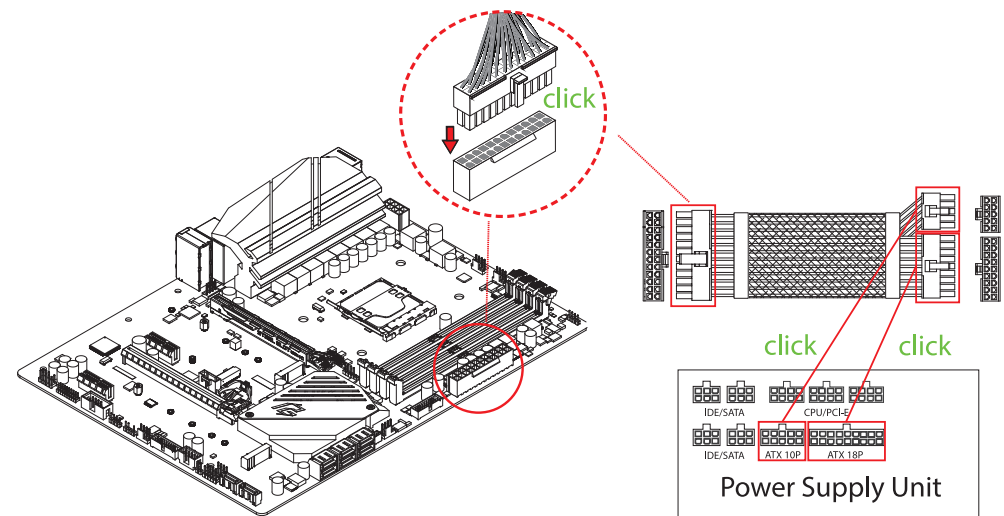
2.12: Connect CPU power

Connect connector “CPU” to motherboard port #1, **ATX 12V Power Connector (ATX12V1)** and connect connector “CM-PSU” to one of the **CPU/PCI-E** slot at power supply unit.



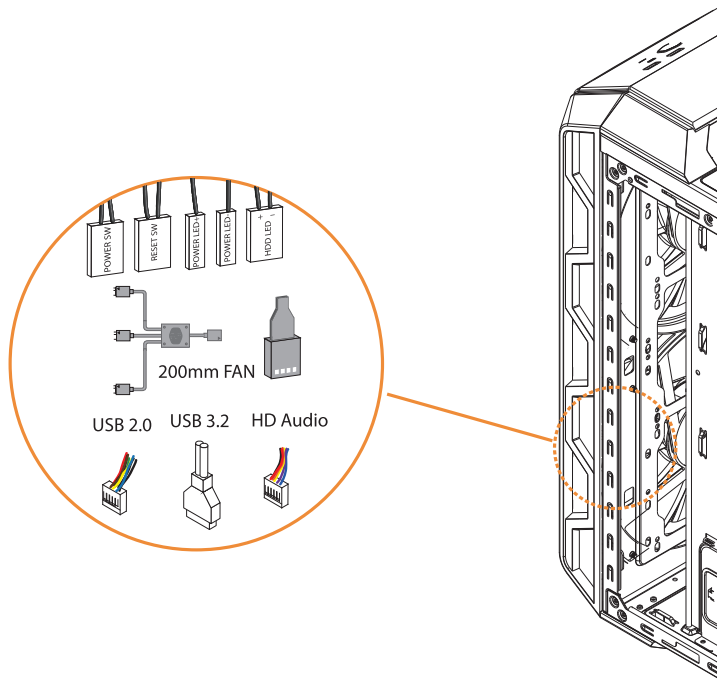
2.13: Connect CPU power

Connect 24 pins connector to motherboard port #7, **ATX Power Connector (ATXPWR1)**, and connect 18 pins & 10 pins connectors to **ATX 18P & ATX 10P** slot at power supply unit.



2.14: Locate cables from the case

Front I/O cables, front 200mm fan cables, RGB cables, USB 2.0, USB 3.2, and HD audio can be found routed from the front of the case.



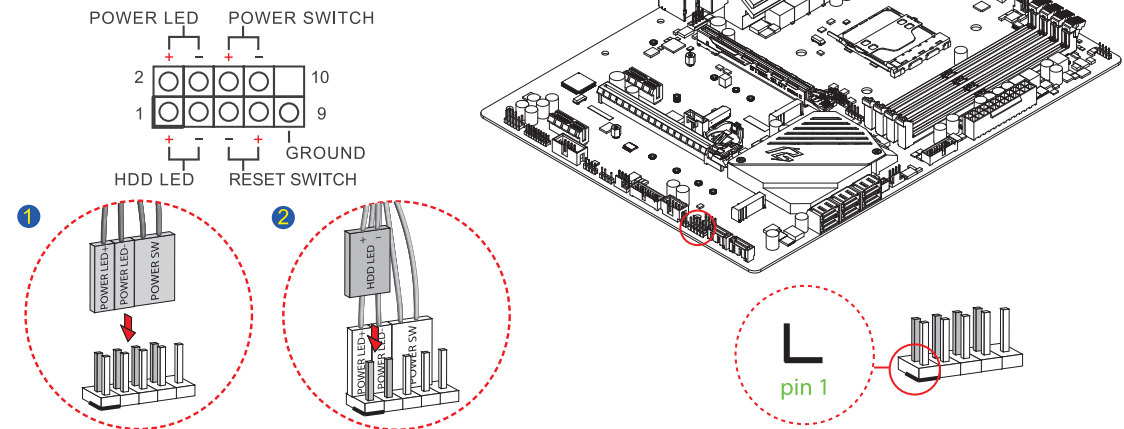
2.15: Connect front panel switch and LED

Pay attention when connecting motherboard port **#18, System Panel Header (PANEL1)**, the connector pin 1 is marked on the motherboard. It is a bold "L" shape at the corner of the connector.

*Reset switch connection will connect later

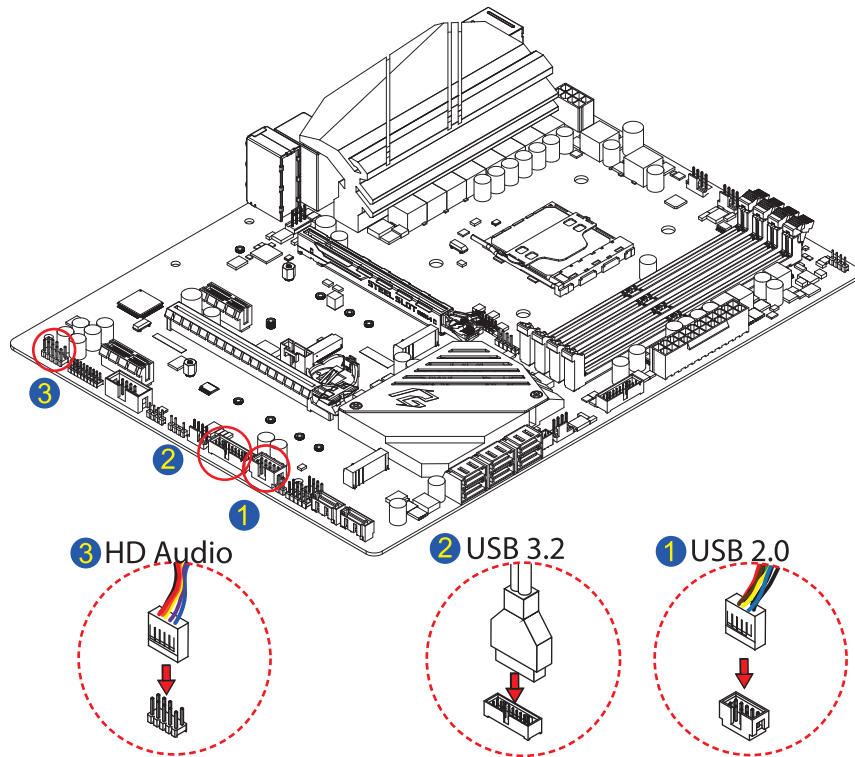


PIN	Function	PIN	Function
1	HDD LED +	2	Power LED +
3	HDD LED -	4	Power LED -
5	Reset Switch	6	Power Switch
7	Reset Switch	8	Power Switch
9	Ground	10	No Pin



2.16: Connect HD Audio, USB 3.2, and USB 2.0 front I/O

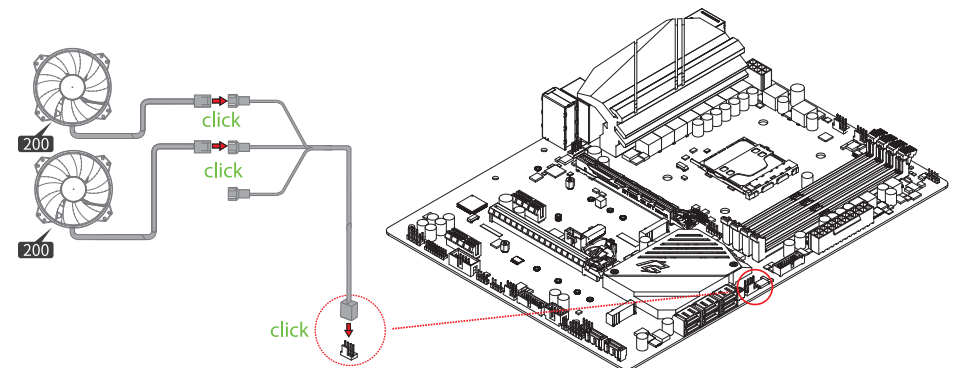
1. #20 USB 2.0 Header (USB_2_3)
2. #21 USB 3.2 Gen1 Header (USB3_9_10)
3. #27 Front Panel Audio Header (HD_AUDIO1)



2.17: Connect 200mm fans

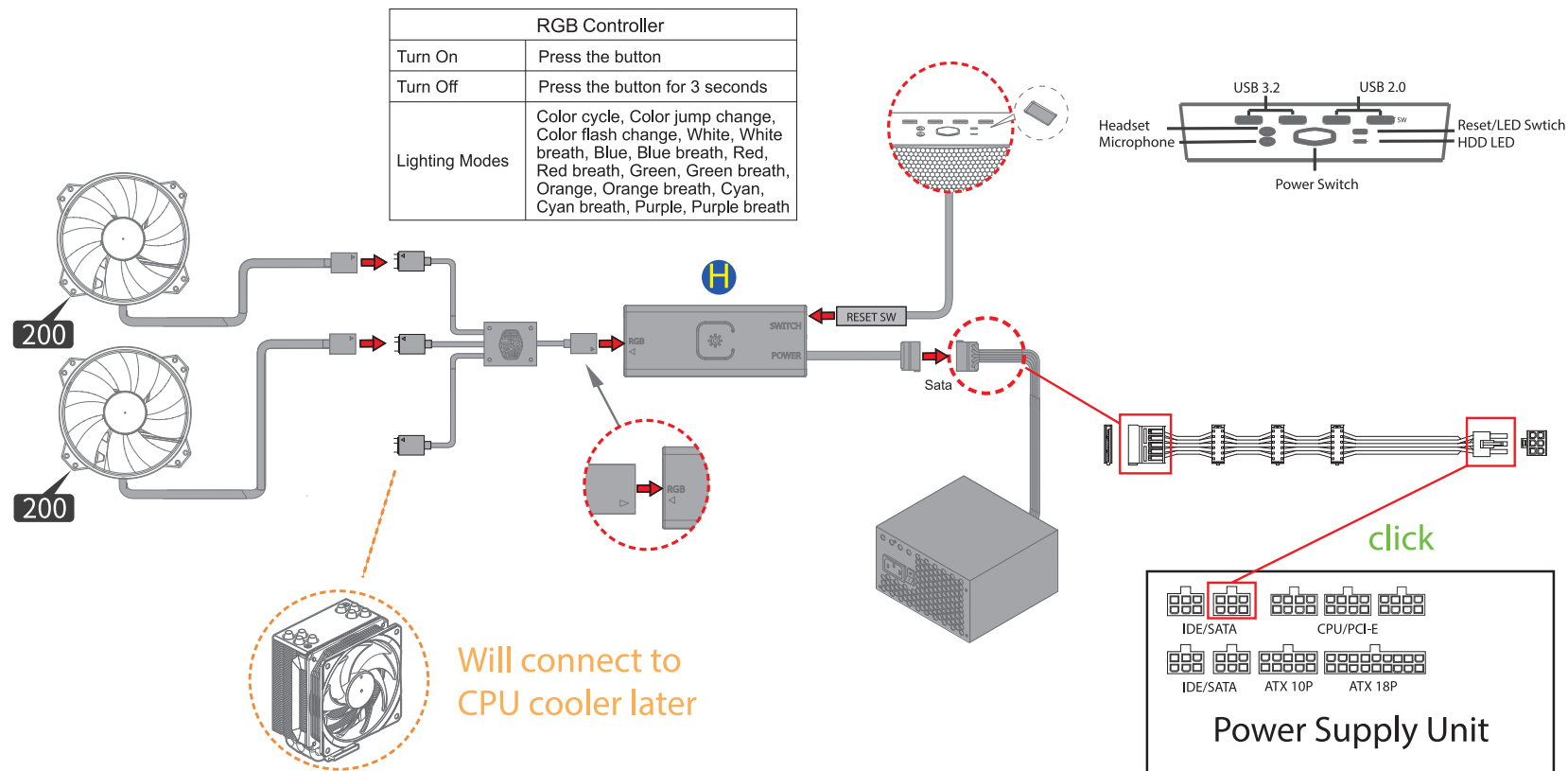
3 to 1 cable was pre-connected to 200mm fans.

Connect to motherboard port #11, **Chassis Fan/Waterpump Fan Connector (CHA_FAN1/WP)**



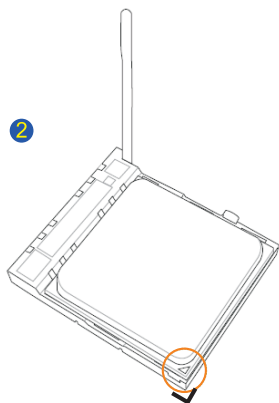
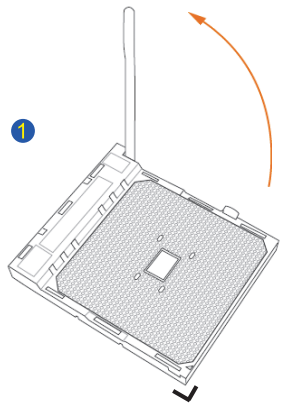
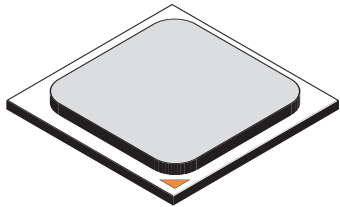
2.18 Connect 200mm fans RGB cable to RGB controller

3-to-1 cable for RGB was pre-connected to 200mm fans.



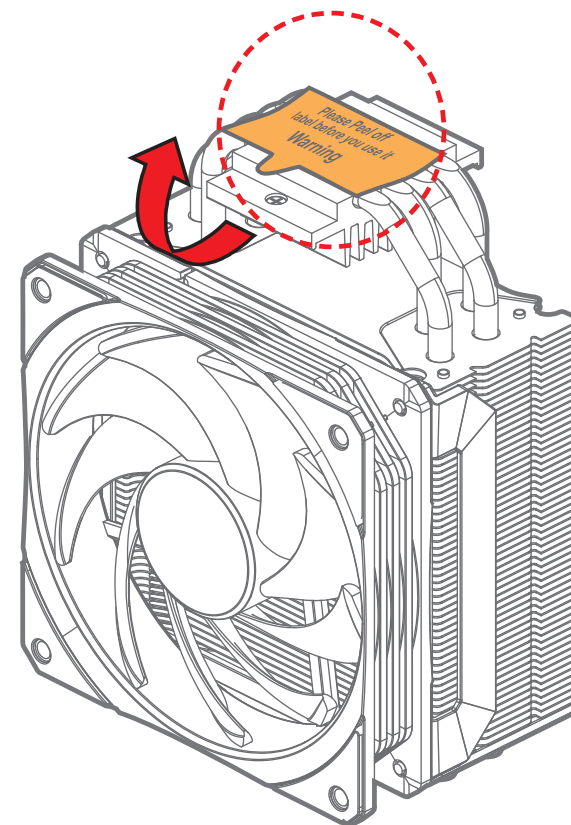
2.19: Install CPU Connect front panel switch and LED

Carefully handle the CPU. Do not bend any pins of the CPU.
Align the CPU corner mark ▲ to the socket mark or L mark on the motherboard.

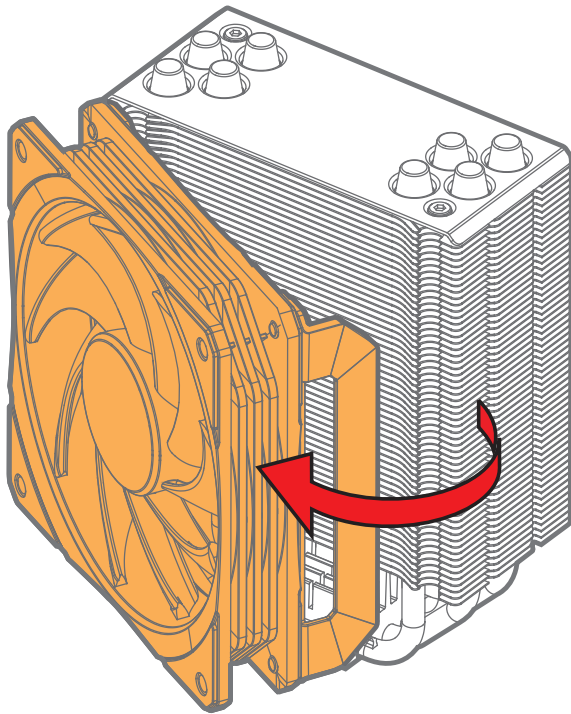


2.20: Remove the protective film

Peel off the protective film.

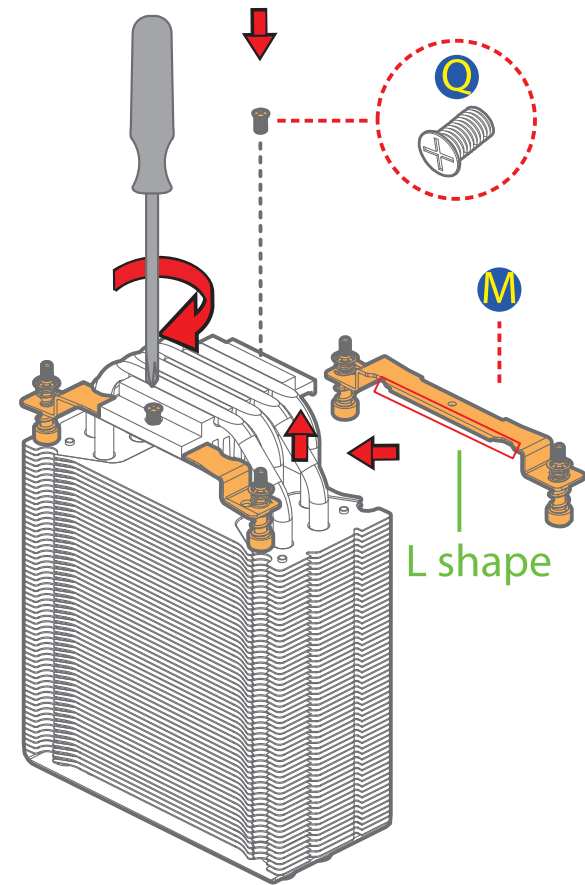


2.21: Remove the fan



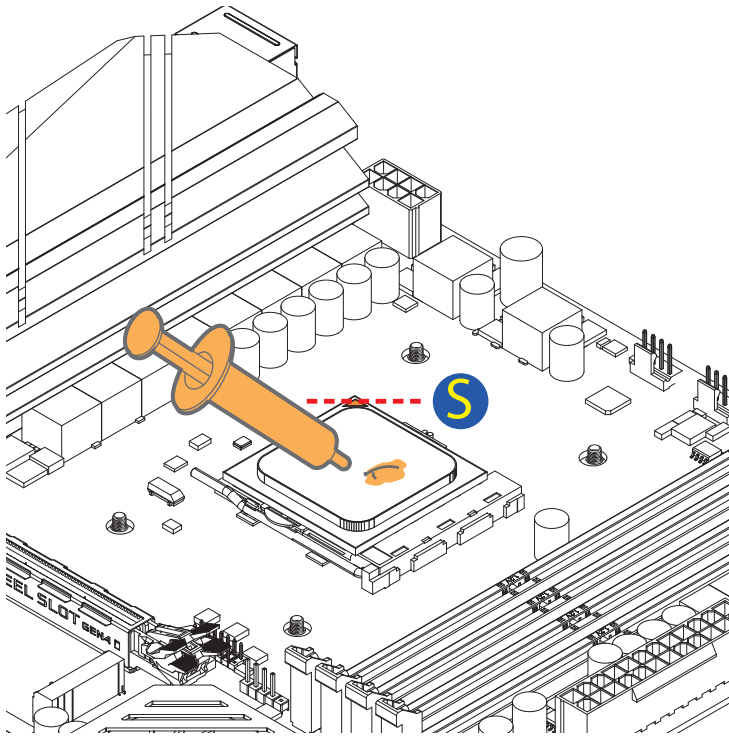
2.22: Install the heatsink brackets

Using screw Q, install part M from below. Pay attention to the “L shape” orientation.



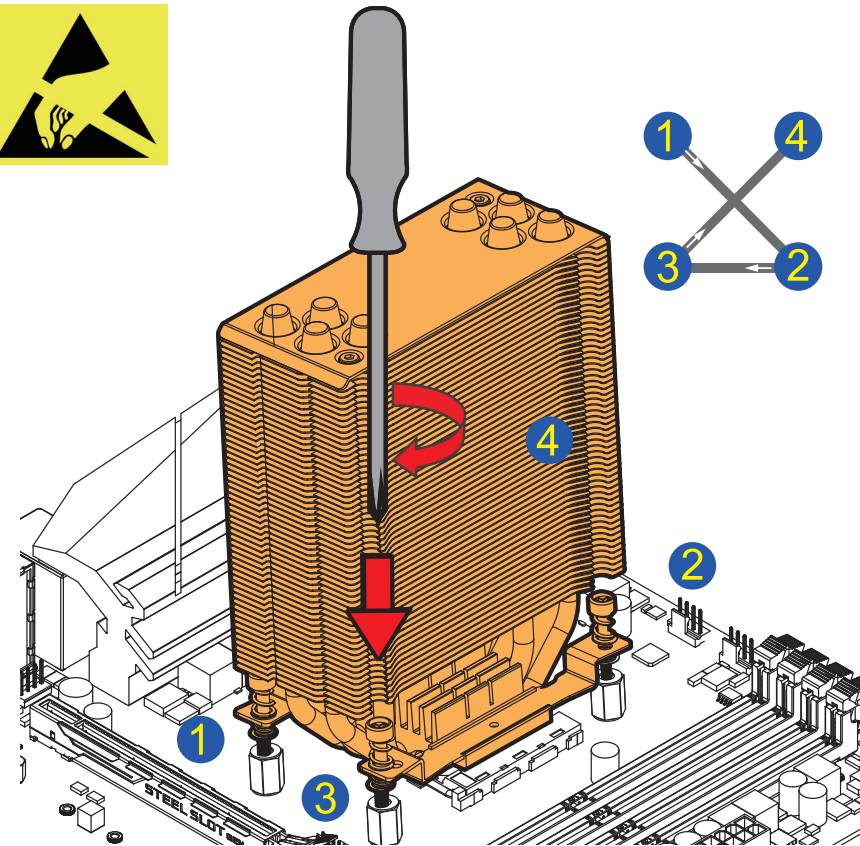
2.23: Apply thermal paste

Apply some thermal paste on top of CPU heat plate no bigger than a pea.



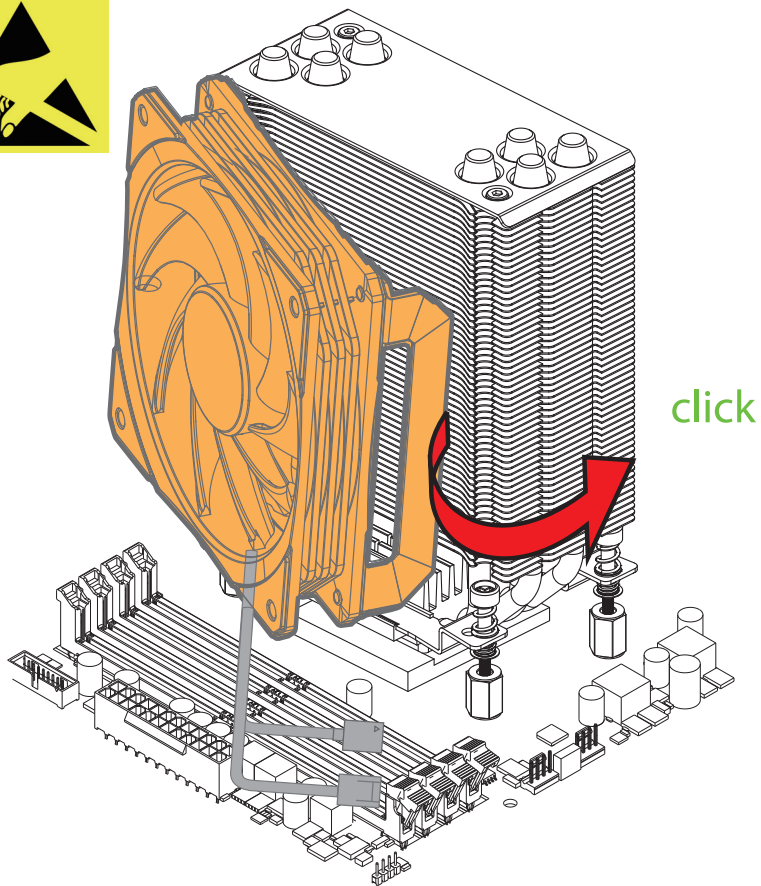
2.24: Install CPU cooler

Follow the sequence to fasten the screws. First time only fasten it halfway to three-quarters down, after you secure all of the four screws, follow the sequence again until it tightens. Do not over tighten it



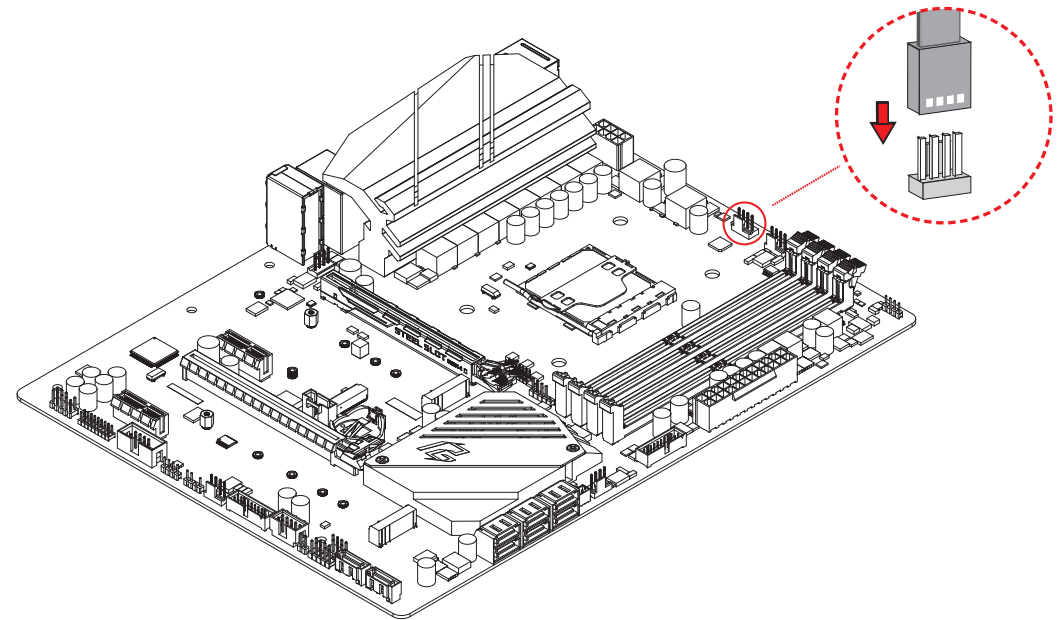
2.25: Attach the cooler fan to the cooler

Attach the cooler fan, leaving the cables at the bottom. Pay attention to the fan's location.



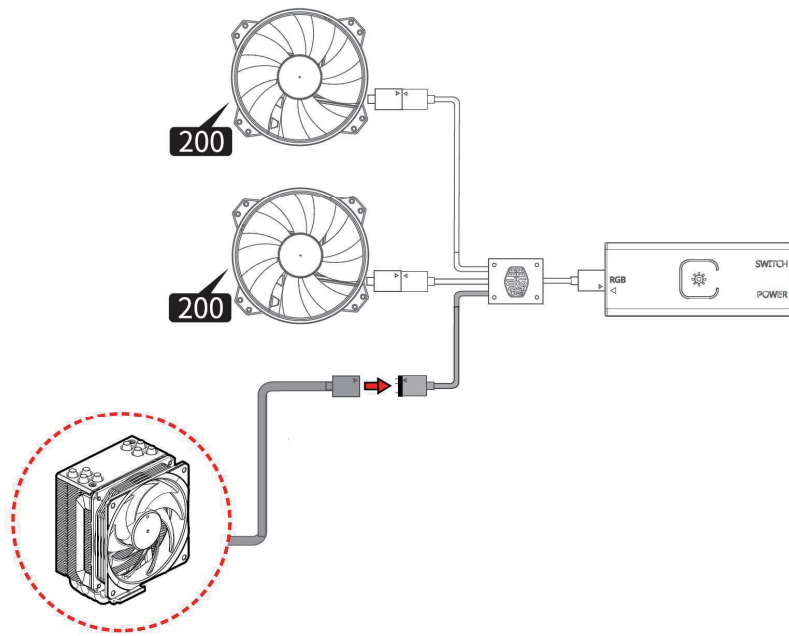
2.26: Connect the cooler fan

Connect cooler fan cable to motherboard port #3, CPU_FAN2/WP



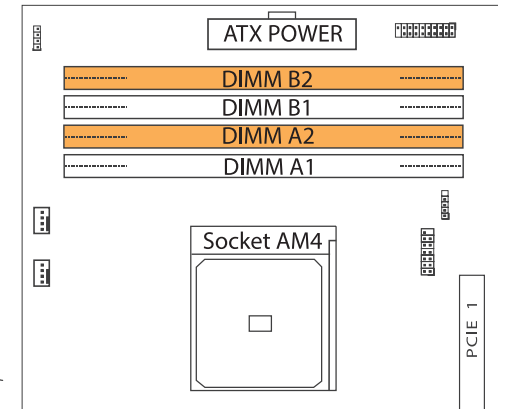
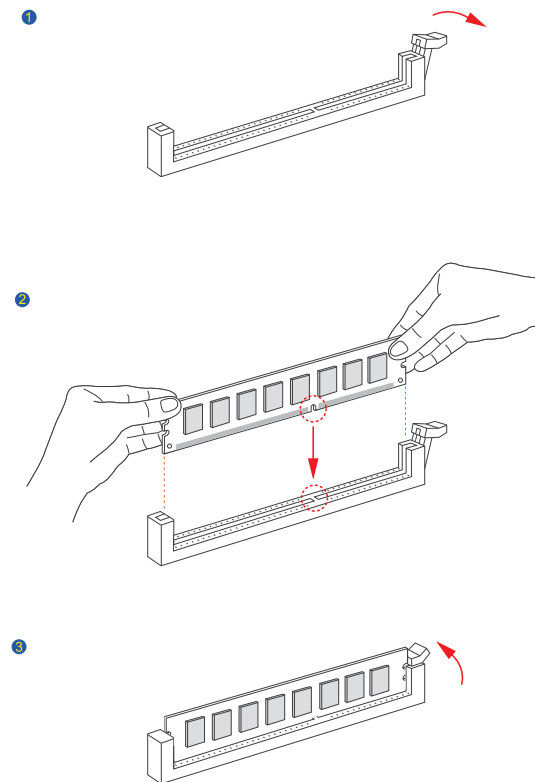
2.27: Connect the cooler's RGB cable

Connect the cooler RGB cable to 3-to-1 cable



2.28: Install the memory

Follow the population table to install two RAM modules.



Ryzen Series CPUs (Matisse):

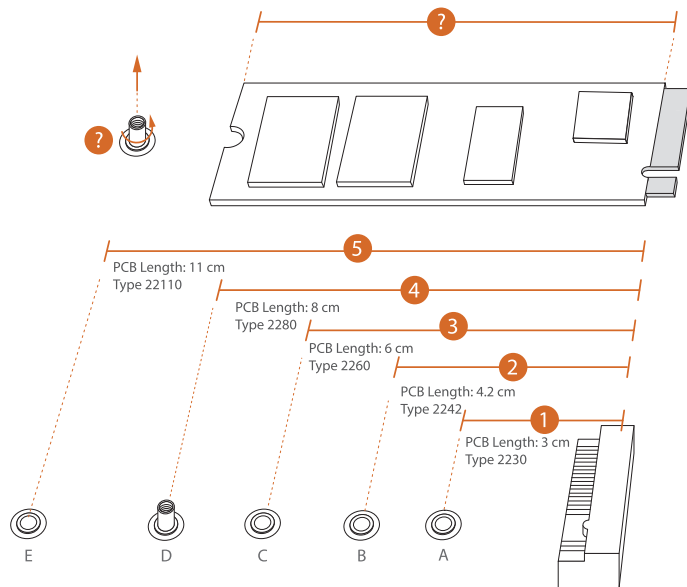
UDIMM Memory Slot			
A1	A2	B1	B2
-	SR	-	-
-	DR	-	-
-	SR	-	SR
-	DR	-	DR
SR	SR	SR	SR
SR/DR	DR	SR/DR	DR
SR/DR	SR/DR	SR/DR	SR/DR

SR: Single rank DIMM, 1Rx4 or 1Rx8 on DIMM module label

DR: Dual rank DIMM, 2Rx4 or 2Rx8 on DIMM module label

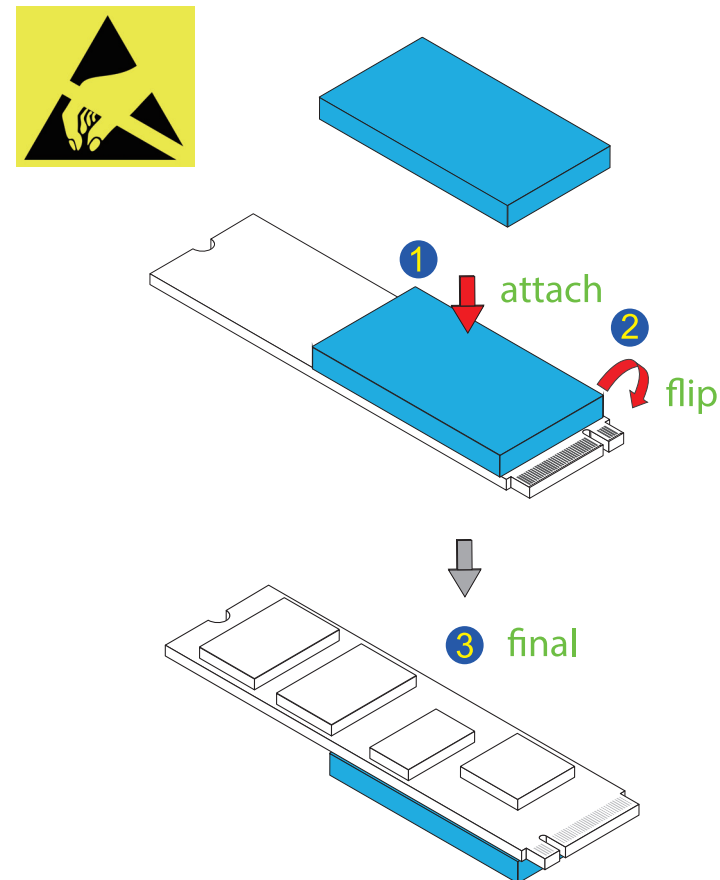
2.29: Check SSD length

Check the SSD length. Follow the diagram below to re-position the SSD pedestal, if necessary.



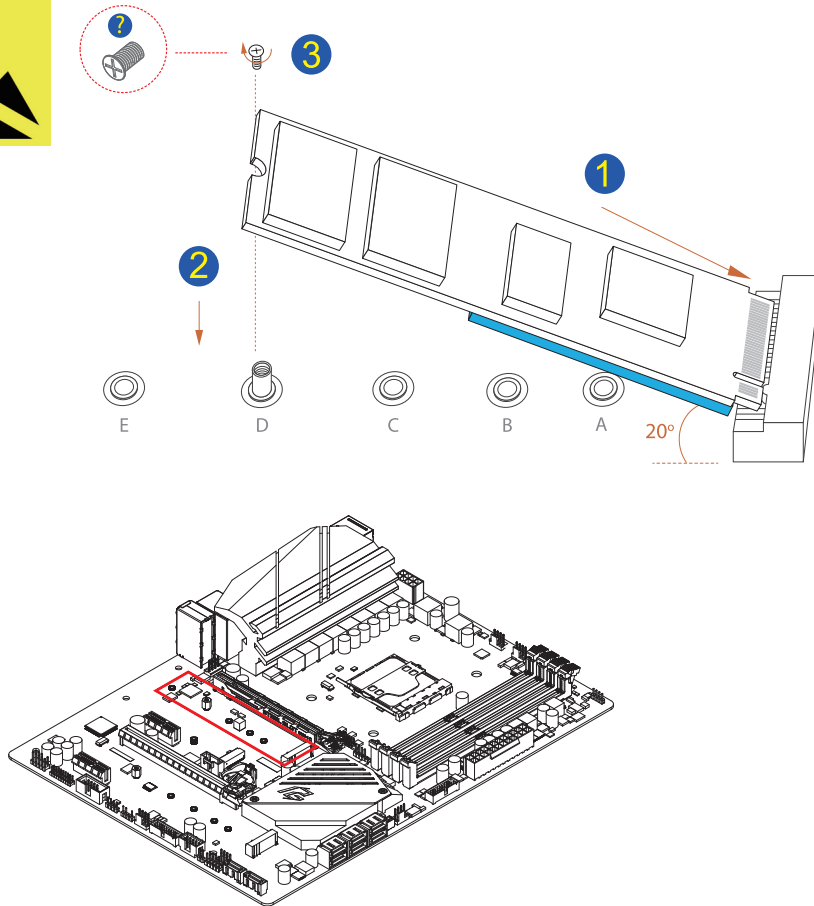
2.30: Attach thermal pad

Remove both sides of protective film from the thermal pad. Attach the thermal pad to the bottom of the SSD.



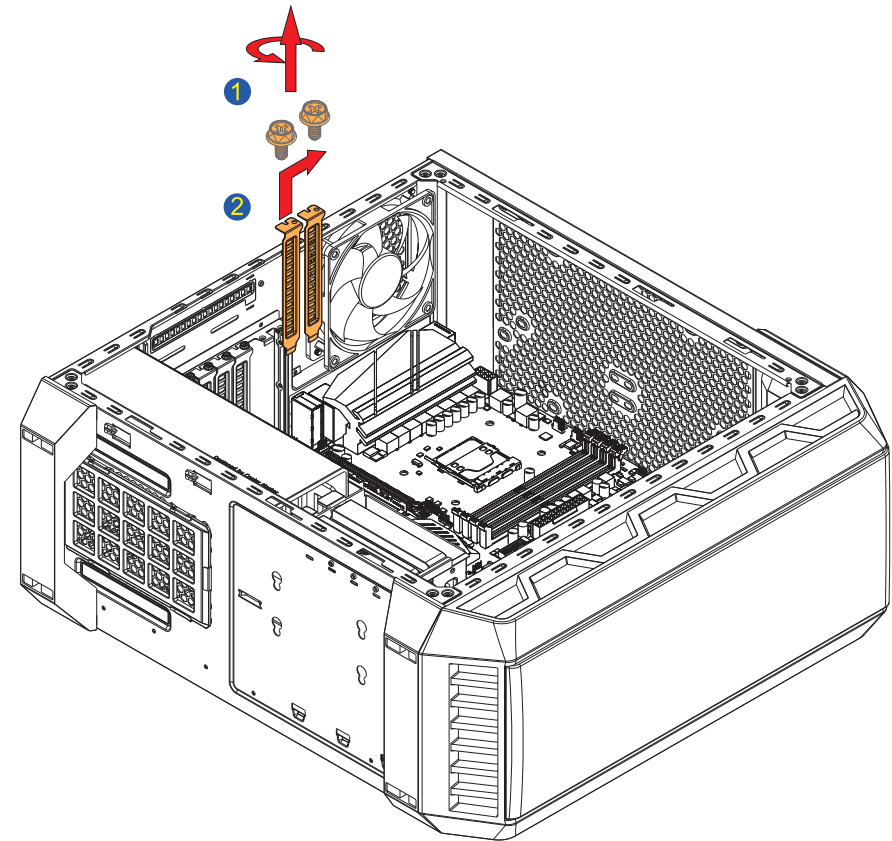
2.31: Install SSD

Install at M.2_1. Fasten M.2 screw with Philips screwdriver PH#1

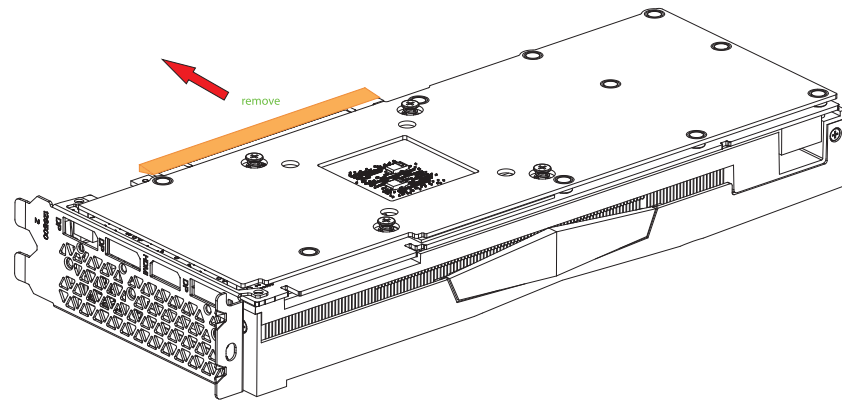


2.32: Remove two slot covers

Remove top two slot covers and retain the screws to install video card.

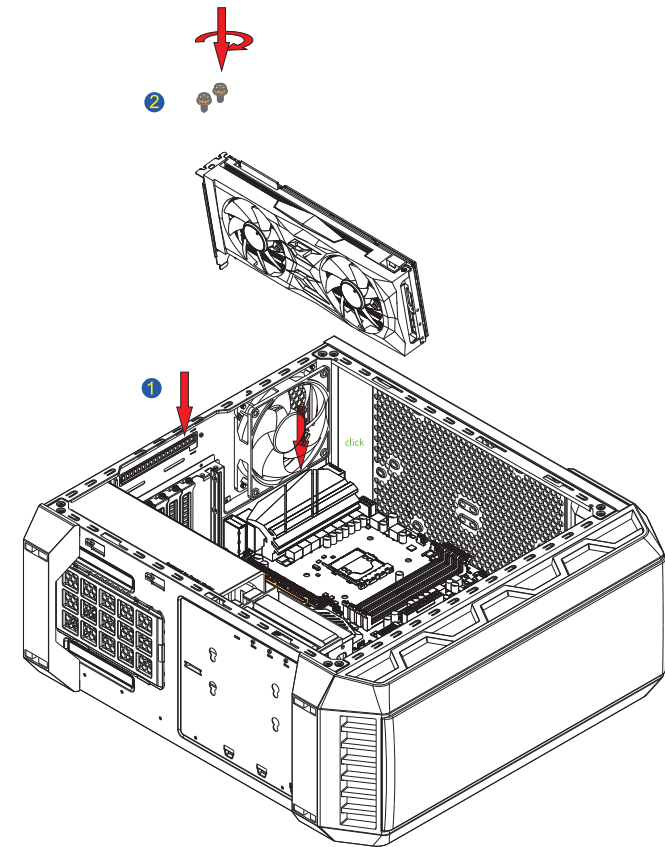


2.33: Remove video card protective cover



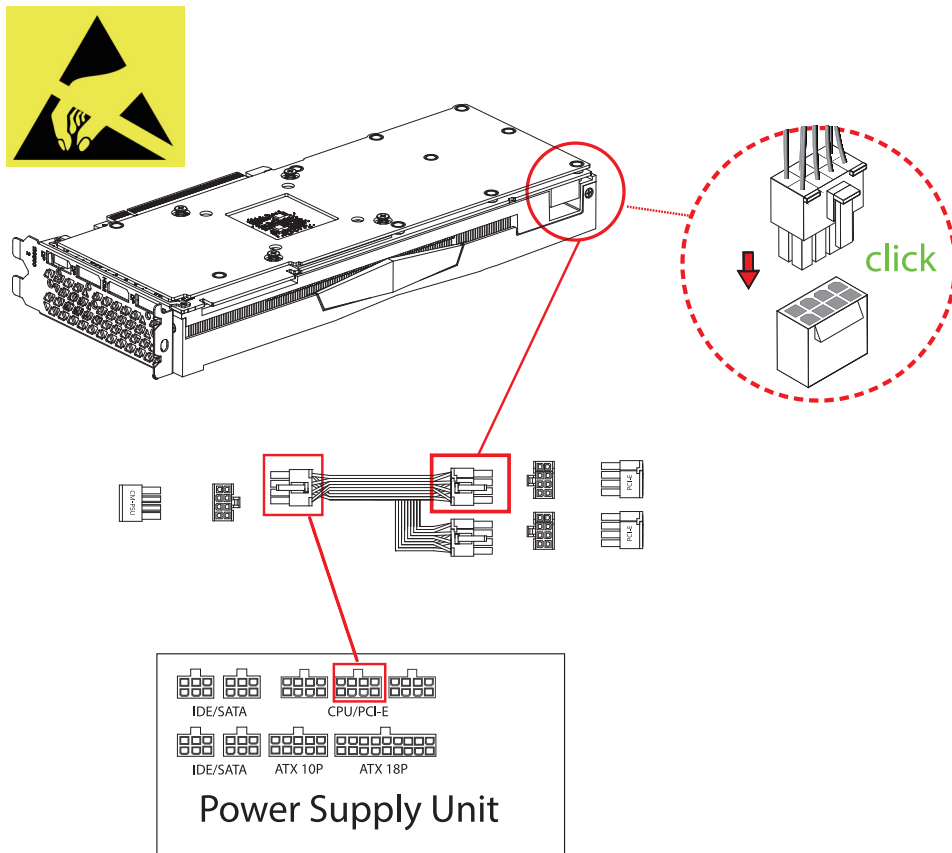
2.34: Install video card

Fully insert video card to **PCIe_1 slot**. Secure with two screws from step 2.31.



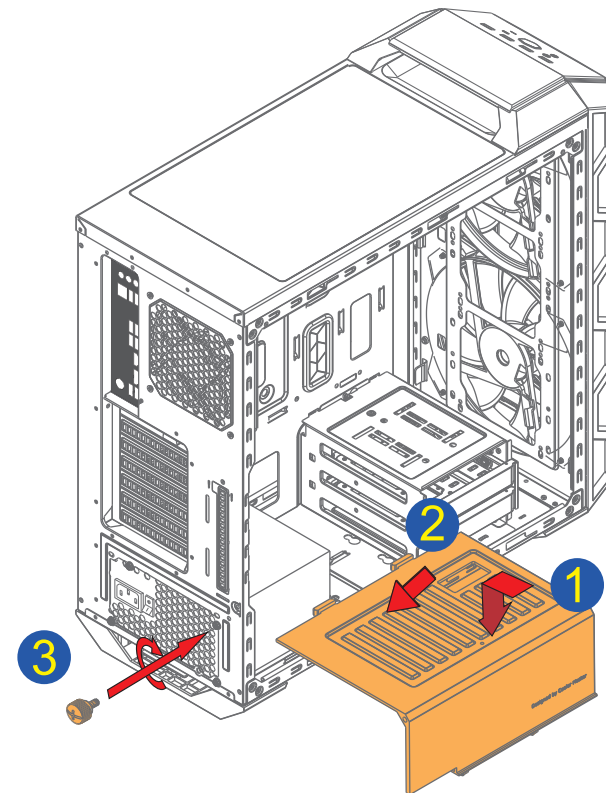
2.35: Connect PCIe power to video card and PSU

Connect “**CM-PSU**” to one of the **CPU/PCU-E** slot at power supply unit.
Connect one of the “**PCI-E**” connector to video card.



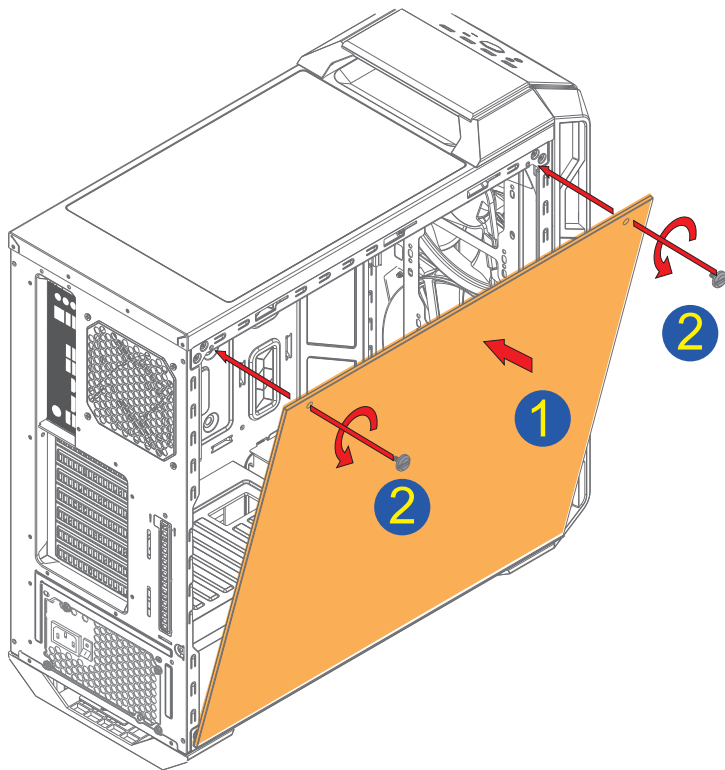
2.36: Put the power supply unit cover back

Put the power supply cover back and secure it with screw from step 2.7.



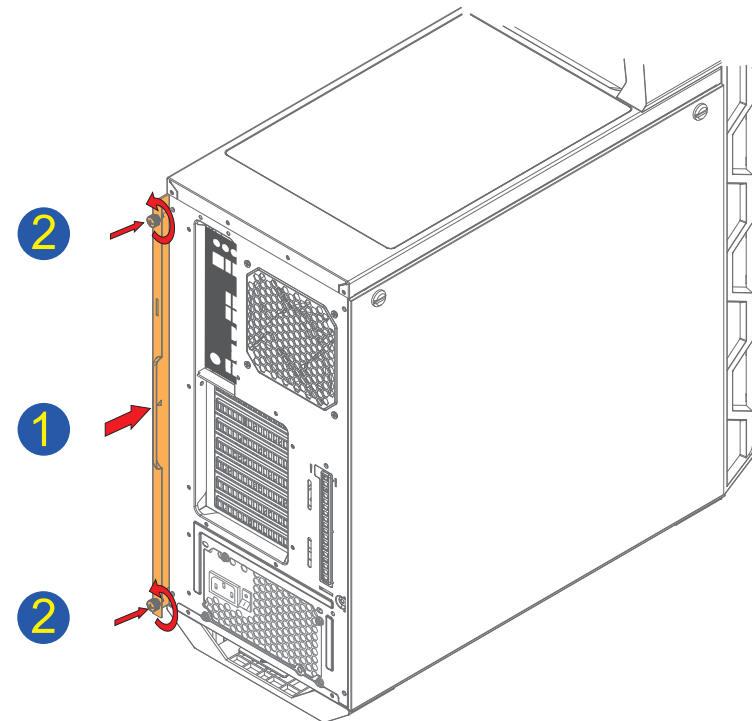
2.37:

Put the tempered glass back and secure with screws.



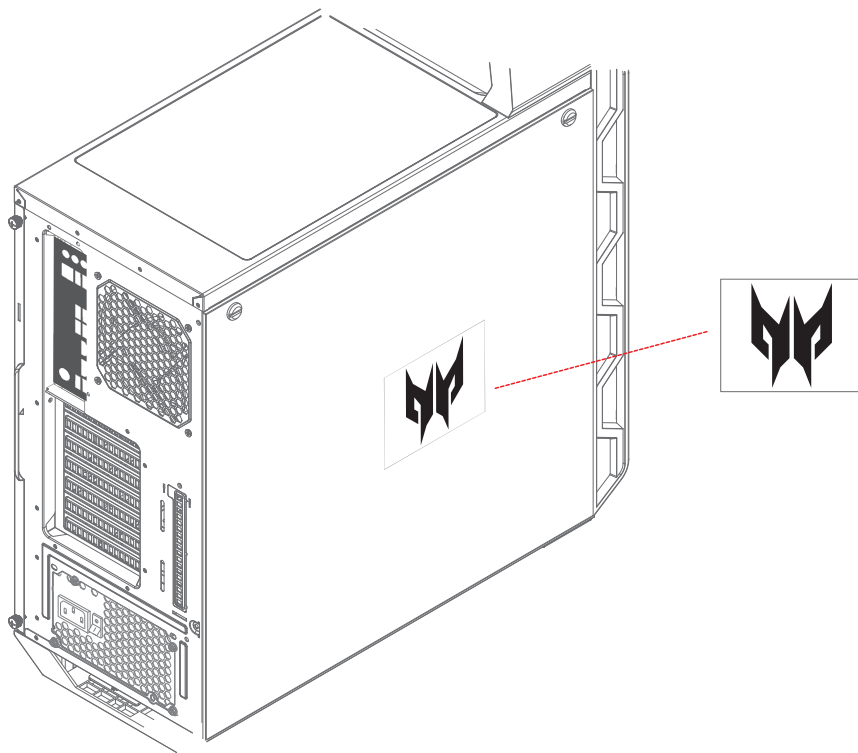
2.38:

Put the side panel back and secure it with screws



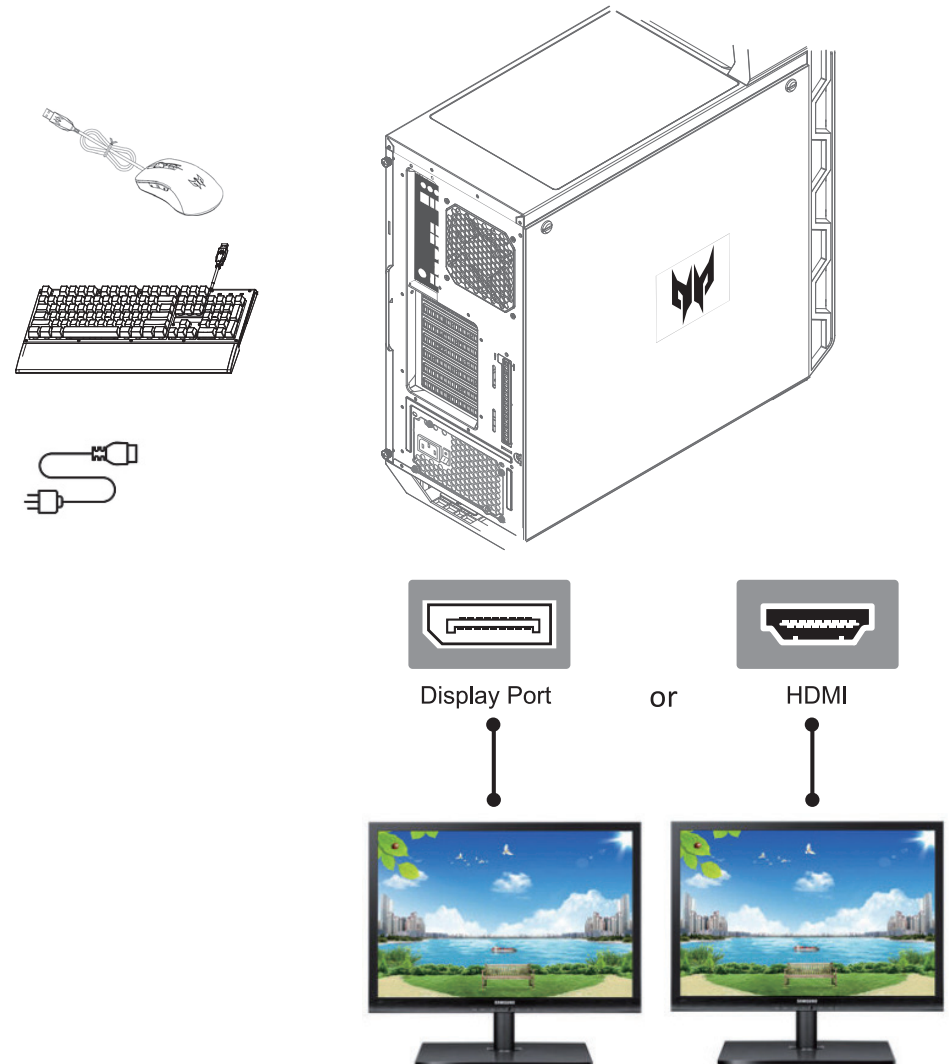
2.39: Affix Predator sticker

Apply the Predator sticker on the tempered glass.



2.40: Prepare for power on the system

Connect Power cord, Keyboard, mouse, and display.



3. How to Update UEFI

3.1

It is essential to keep UEFI up to date. This allows the motherboard to support more hardware and also improves system stability and security. It is highly recommended to update the UEFI to the latest version.

By default, we have included the UEFI file on the USB flash drive that ships with the system. The file in the USB flash drive is **X570PG43.10A**. This is version **3.10A**.

You can also go to the Acer website (www.acer.com) to check for any updated versions. It is advisable to use the latest version available.

Screenshots may differ from what is shown.
Please refer to onscreen instructions.

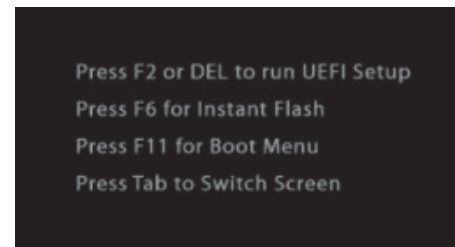
3.2

With the system powered off:

Insert the USB flash drive that contains the UEFI file into a USB port.

Power on the system.

When you see the splash screen, you should:
Press F2 or DEL to run UEFI Setup

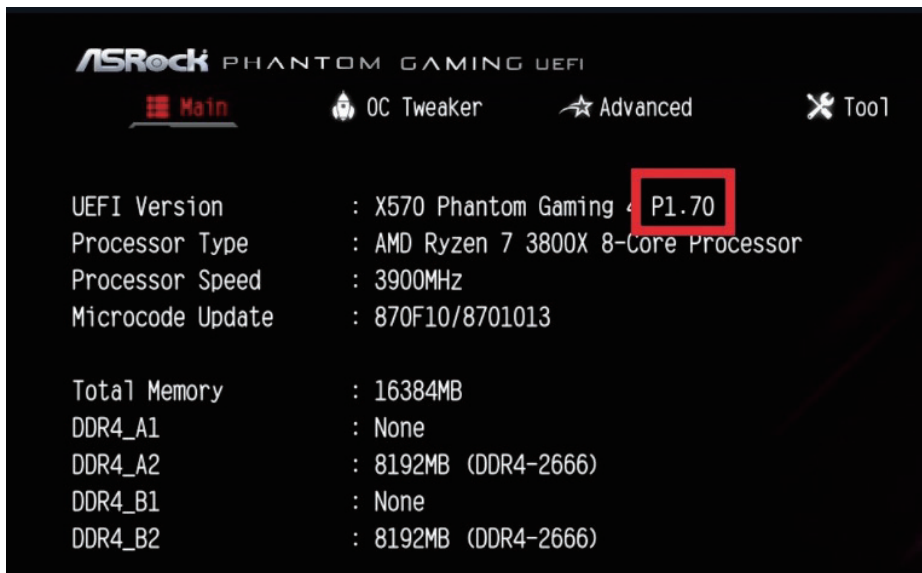


Screenshots may differ from what is shown.
Please refer to onscreen instructions.

3.3

At the main page, you can find the UEFI version.

The image below shows version **P1.70**

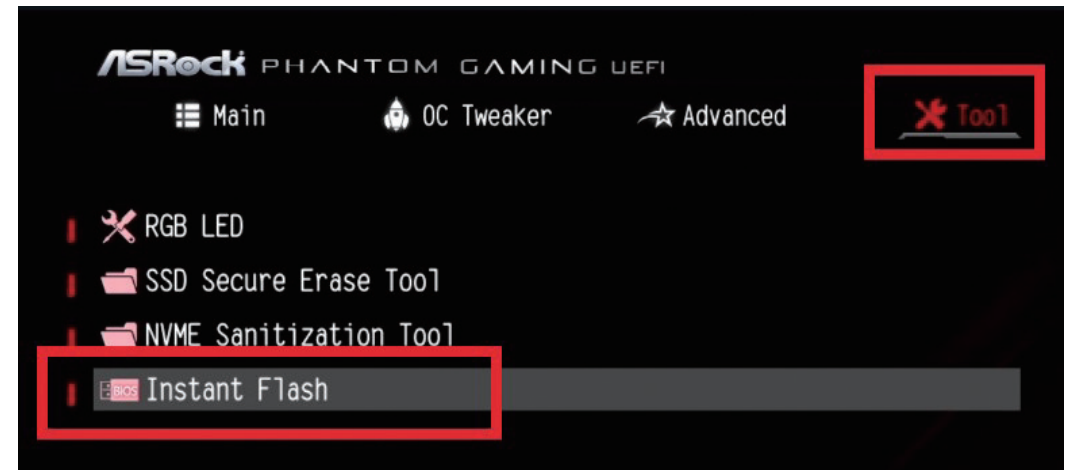


Screenshots may differ from what is shown.
Please refer to onscreen instructions.

3.4

Use arrow keys or mouse to navigate to **Tool** → **Instant Flash**, and then press **Enter** key.

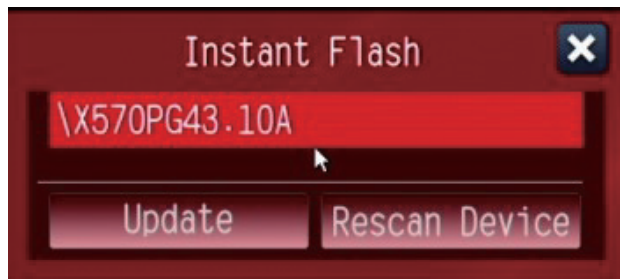
The system will start to scan the USB flash drive for the flash file.



Screenshots may differ from what is shown.
Please refer to onscreen instructions.

3.5

The system found BIOS **X570PG43.10A**. Click **Update** to continue.

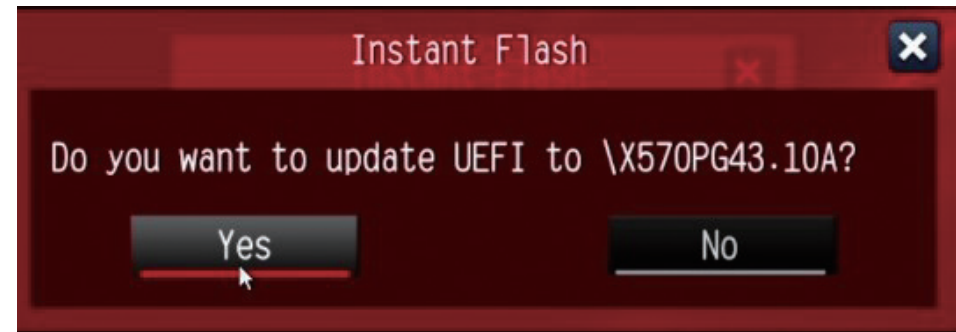


Please note, if the system cannot find the UEFI file, click **Rescan Device**. You may wish to check the USB Flash Drive to be certain that the file is available and the file system is FAT32.

Screenshots may differ from what is shown.
Please refer to onscreen instructions.

3.6

Click "Yes" to continue.



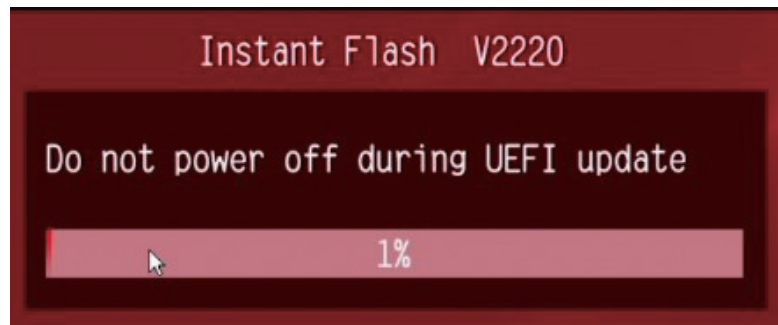
Screenshots may differ from what is shown.
Please refer to onscreen instructions.

3.7

The system will start to update UEFI.

Do NOT interrupt the process

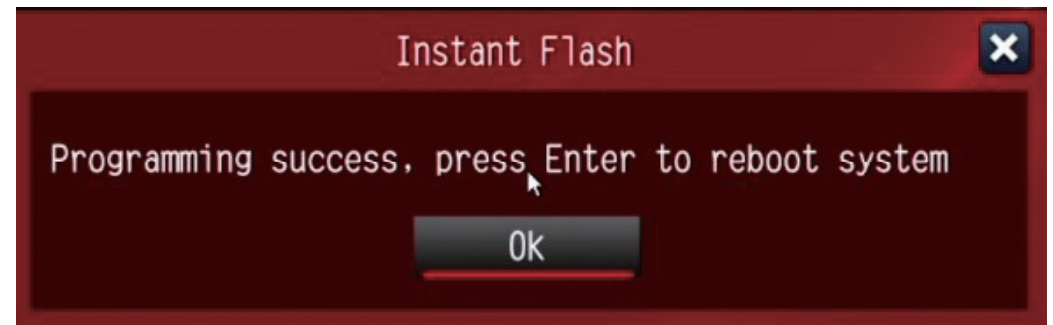
It will take few minutes to complete the process.



Screenshots may differ from what is shown.
Please refer to onscreen instructions.

3.8

Click "OK" or press "Enter" to reboot the system



Screenshots may differ from what is shown.
Please refer to onscreen instructions.

3.9

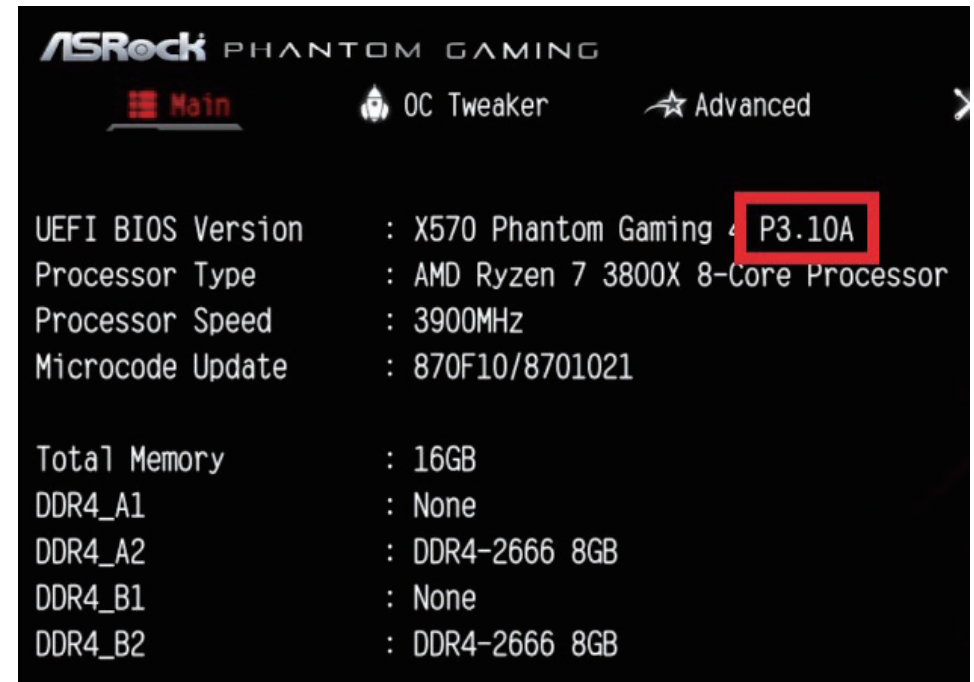
While you see the Predator flash screen, Press **F2** or **DEL** to run UEFI Setup.



Screenshots may differ from what is shown.
Please refer to onscreen instructions.

3.10

UEFI has been updated to version **P3.10A**



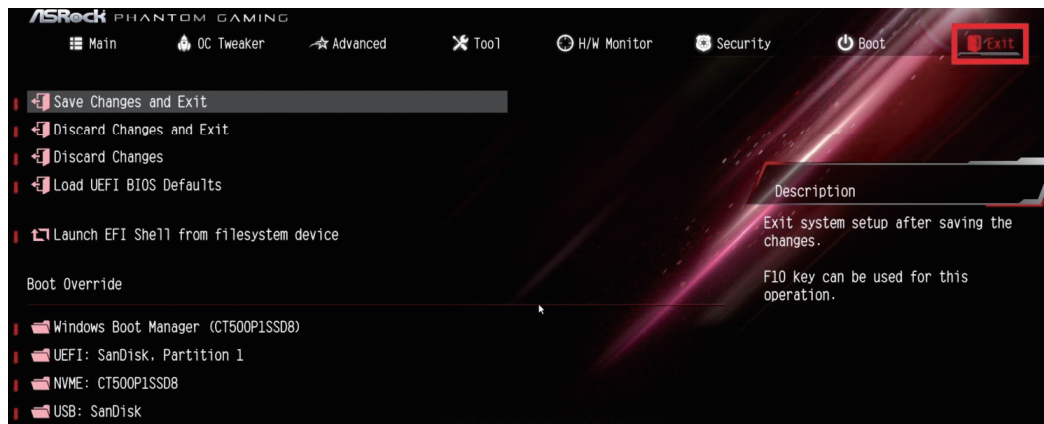
Screenshots may differ from what is shown.
Please refer to onscreen instructions.

3.11

Navigate to “Exit” → Load UEFI BIOS Defaults → Yes, to load BIOS default setting.

Adjust UEFI settings if needed.

If not, go to Exit → Save Changes and Exit



Screenshots may differ from what is shown.
Please refer to onscreen instructions.

4. How To Create a Windows 10 Home USB Flash Drive

4.1 Prepare USB Flash Drive

To install Windows 10, you will need a license with Windows 10 Home or Windows 10 Pro with USB flash drive to proceed it. If you don't have, you can either buy it from Microsoft or major retailer. Either physical copy of USB flash drive or digital version to create a USB flash drive.

If you have a license with physical copy of Windows 10 Home or Pro, you can skip this step.

Open your web browser from another computer, go to <https://www.microsoft.com/en-us/software-download/windows10> to download trail version

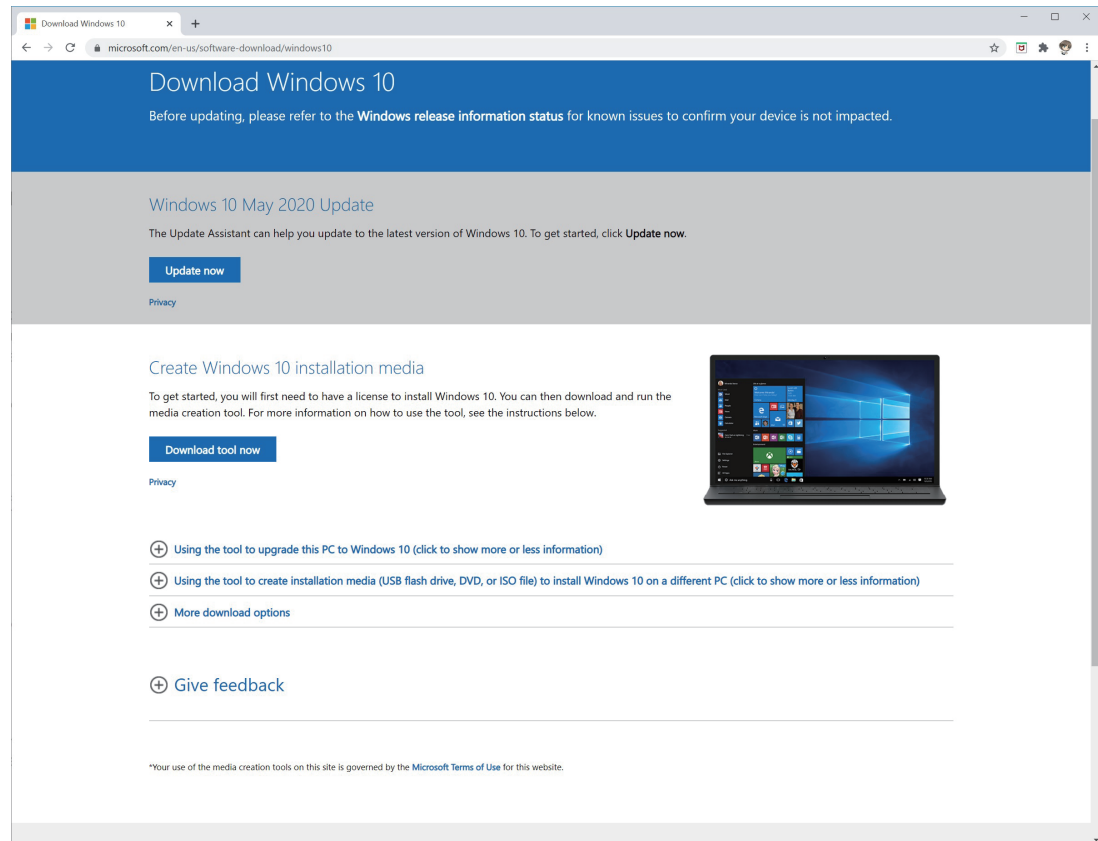
Click **Download tool now** to continue

Run the file (**MediaCreationTool2004.exe** or updated version) you just download it.

Click **“Yes”** to continue

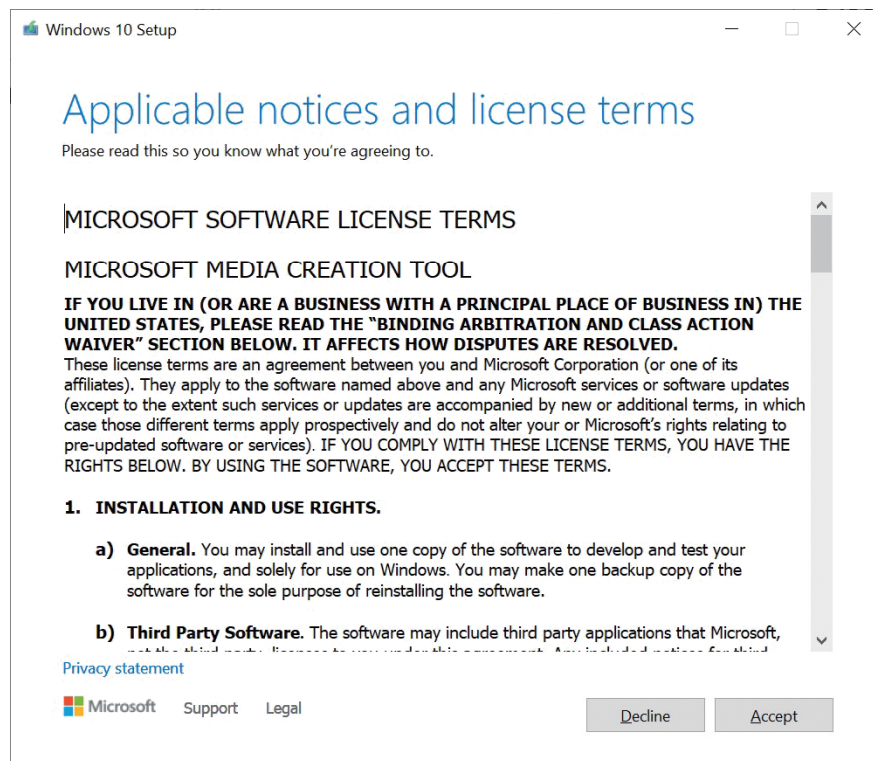
Screenshot may differ slightly than what is shown. Manual is design to provide guidance; please refer onscreen instruction for most up to date information.

Screenshots may differ from what is shown.
Please refer to onscreen instructions.



4.2

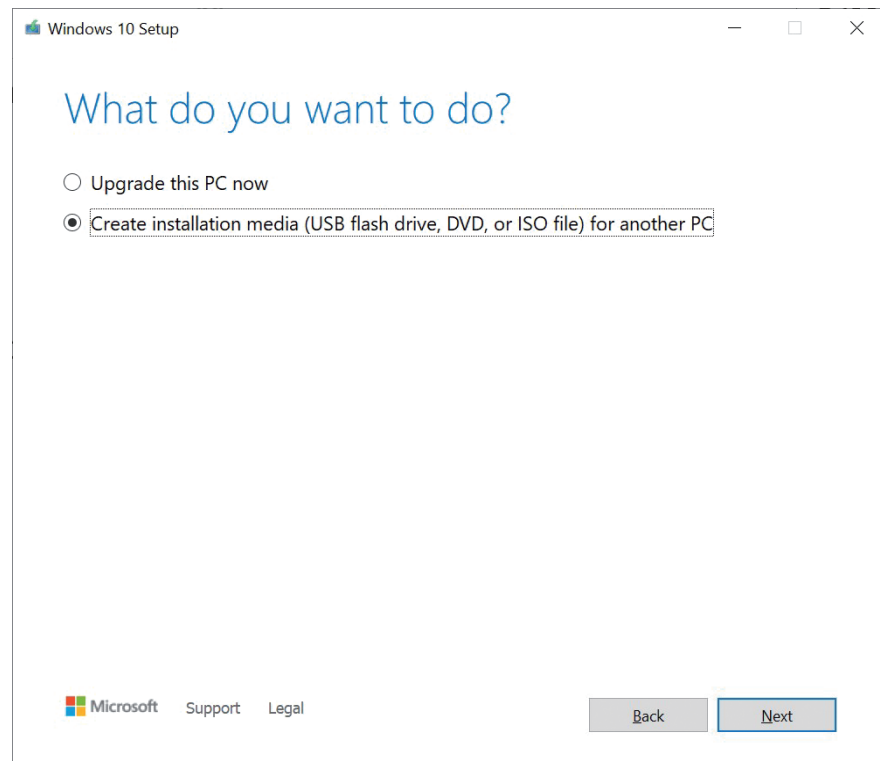
Click “**Accept**” to accept the license agreement



Screenshots may differ from what is shown.
Please refer to onscreen instructions.

4.3

Select **Create installation media (USB flash driver, DVD, or ISO file) for another PC**. Then click **Next** to continue.

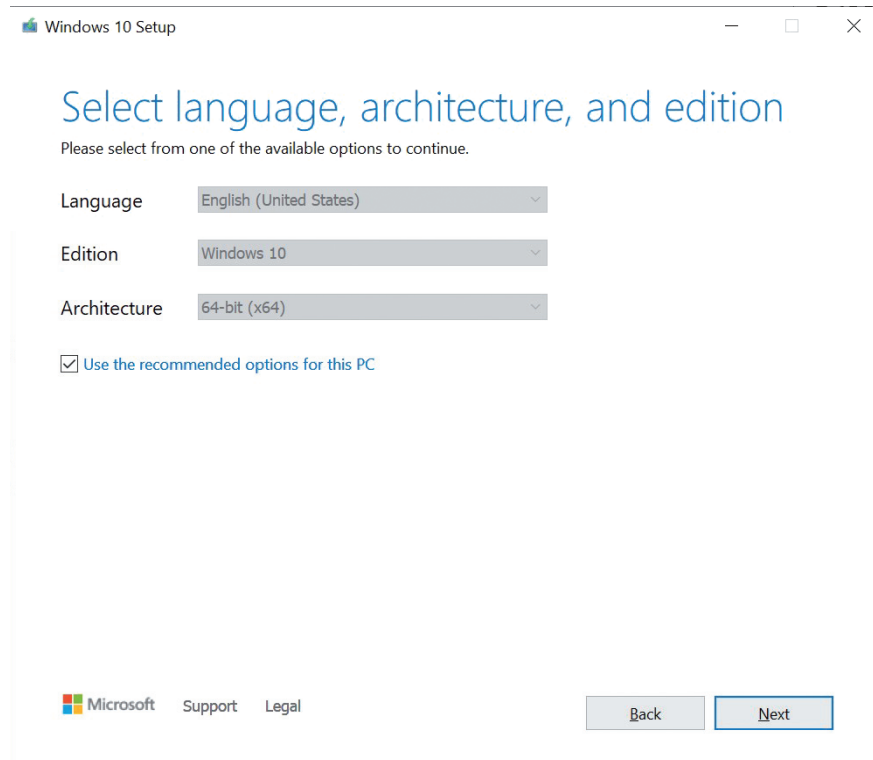


Screenshots may differ from what is shown.
Please refer to onscreen instructions.

4.4

Click **“Next”** to continue

*You can change the setting by uncheck **Use the recommended options for this PC***

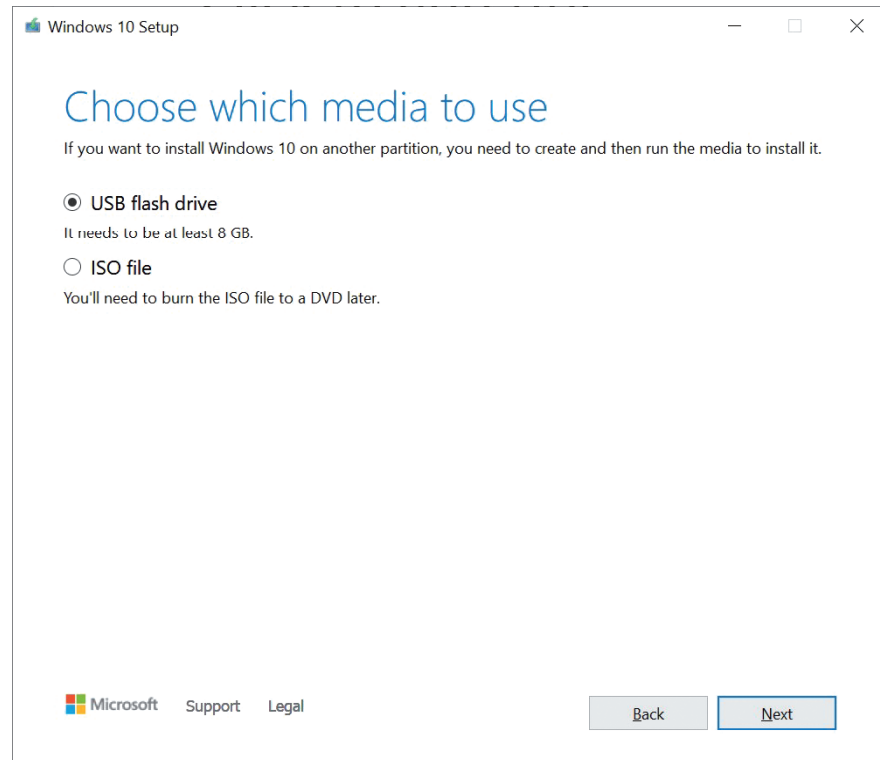


Screenshots may differ from what is shown.
Please refer to onscreen instructions.

4.5

Select **USB flash driver**. Insert a USB flash drive, then click **Next** to continue.

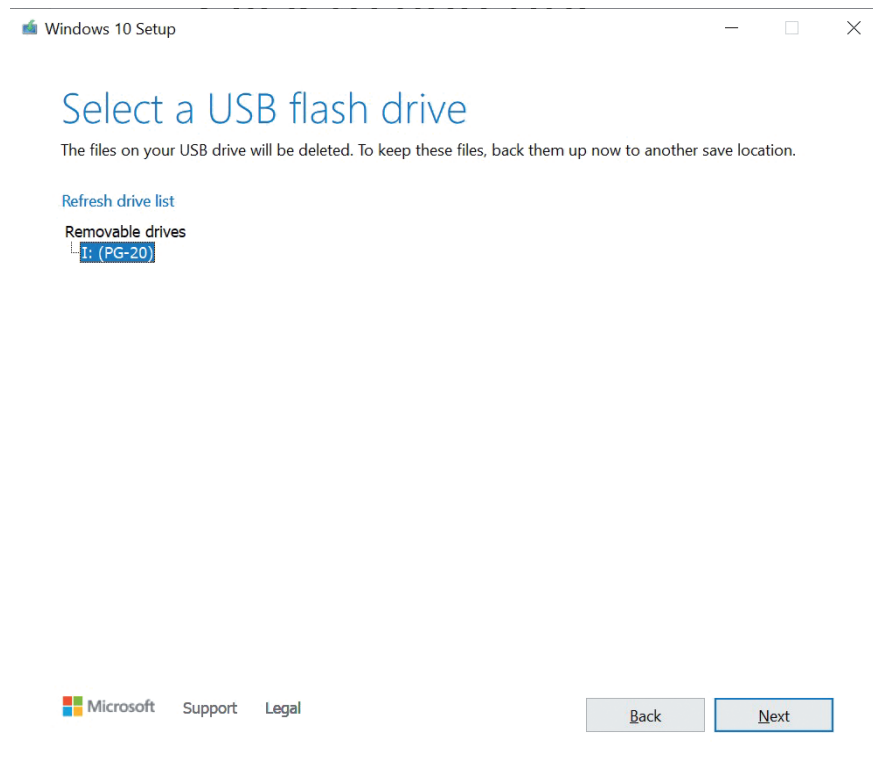
You will need a FAT32 partition with 8GB free space or larger



Screenshots may differ from what is shown.
Please refer to onscreen instructions.

4.6

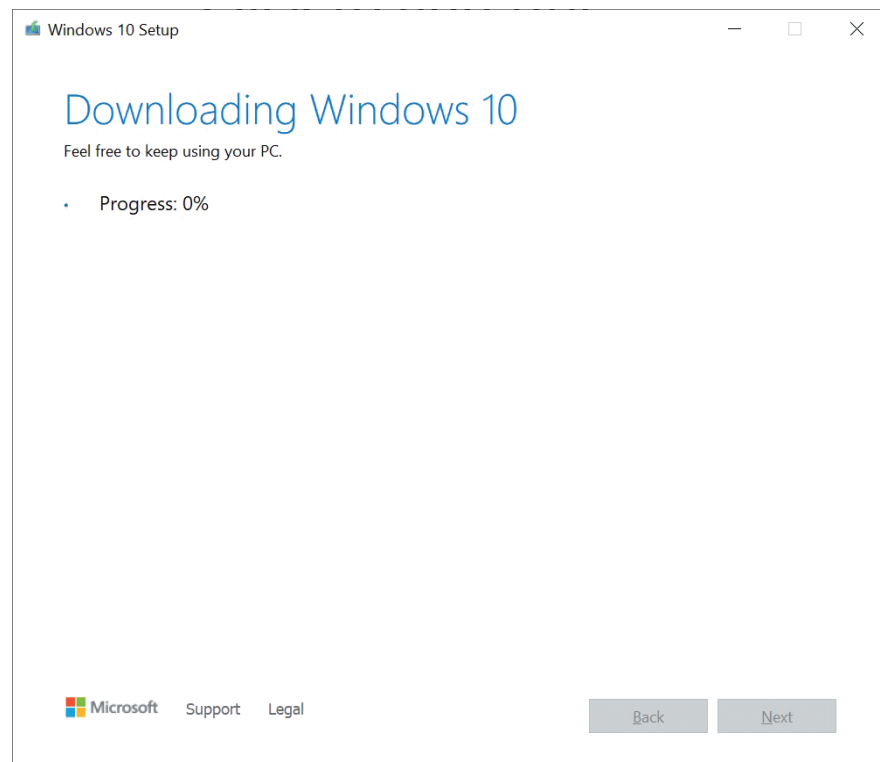
If you have multiple USB flash drive, select a USB flash drive, otherwise, click **Next** to continue



Screenshots may differ from what is shown.
Please refer to onscreen instructions.

4.7

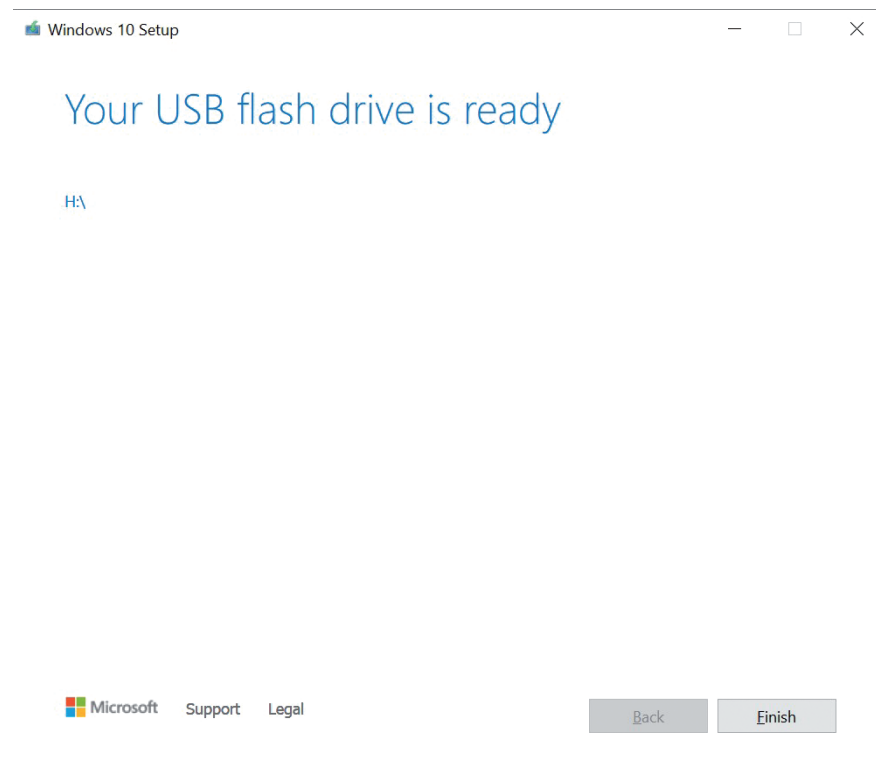
The tool will start to download and create the Windows 10 image.



Screenshots may differ from what is shown.
Please refer to onscreen instructions.

4.8

Click Finish to close the application.



Screenshots may differ from what is shown.
Please refer to onscreen instructions.

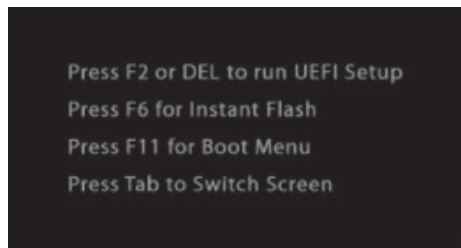
5. Install Windows 10

5.1

Insert **Windows 10 USB Flash Drive** into one of the available USB port.

Press **Power Button** to power on the system.

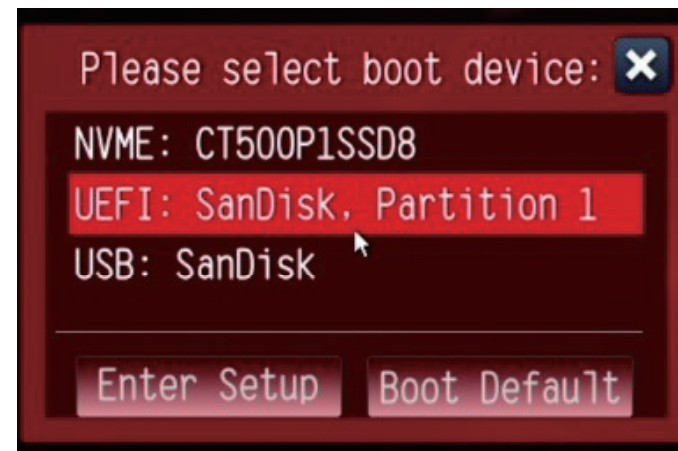
While you see the flash screen, press **F11** key to enable Boot Menu



Screenshots may differ from what is shown.
Please refer to onscreen instructions.

5.2

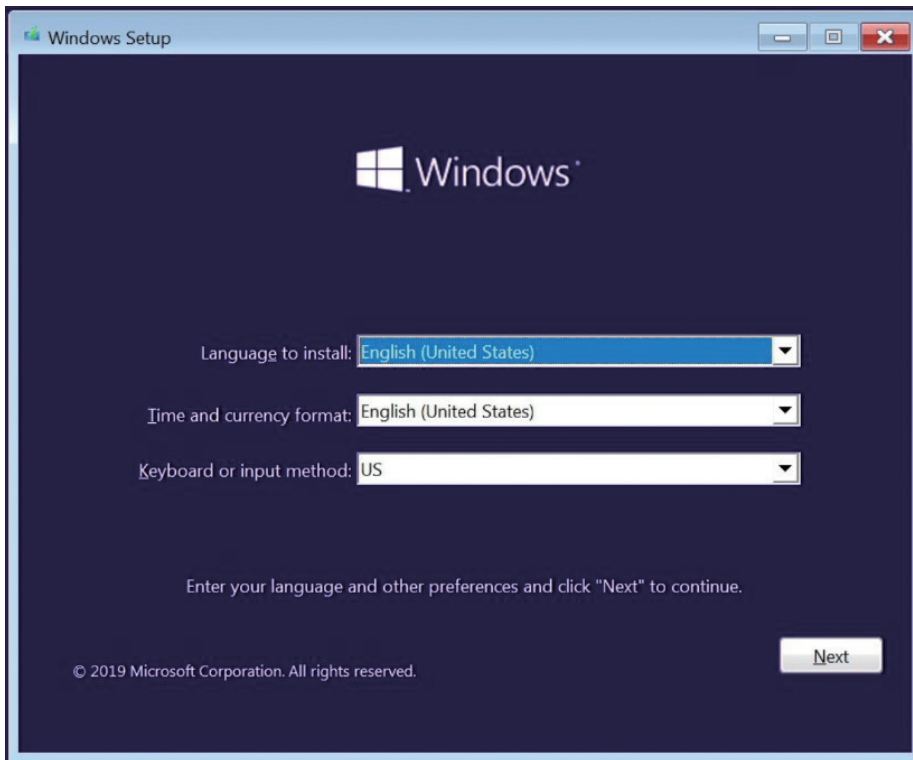
Highlight **UEFI: Flash Drive (USB Flash Drive 'brand)** and press **Enter** to continue.



Screenshots may differ from what is shown.
Please refer to onscreen instructions.

5.3

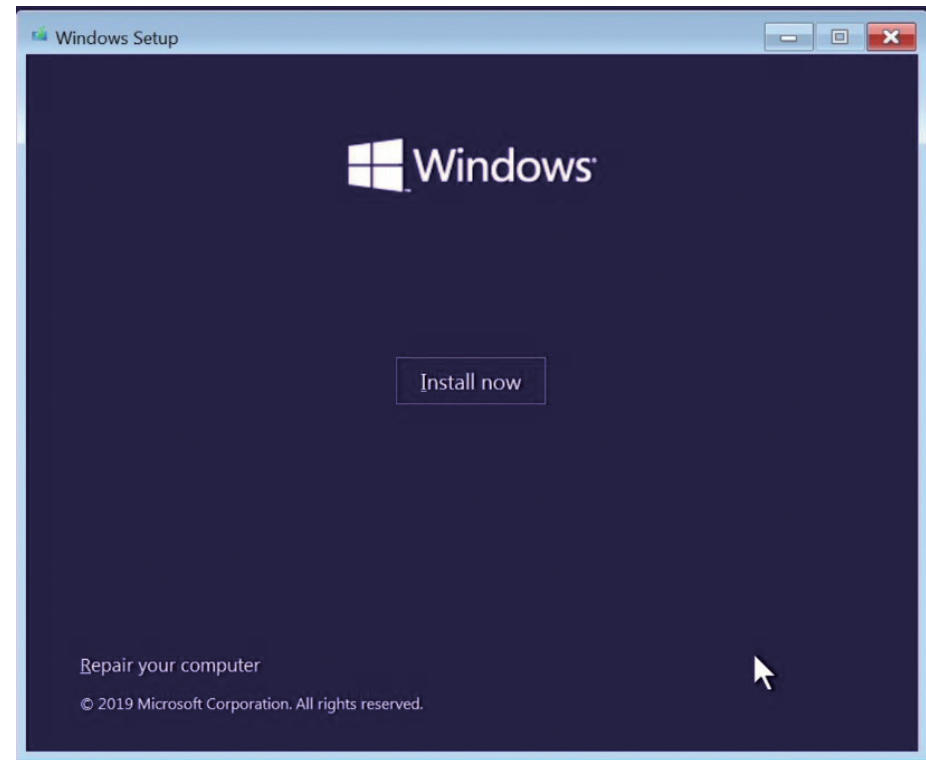
Click **Next** to continue it



Screenshots may differ from what is shown.
Please refer to onscreen instructions.

5.4

Click Install Now to continue it

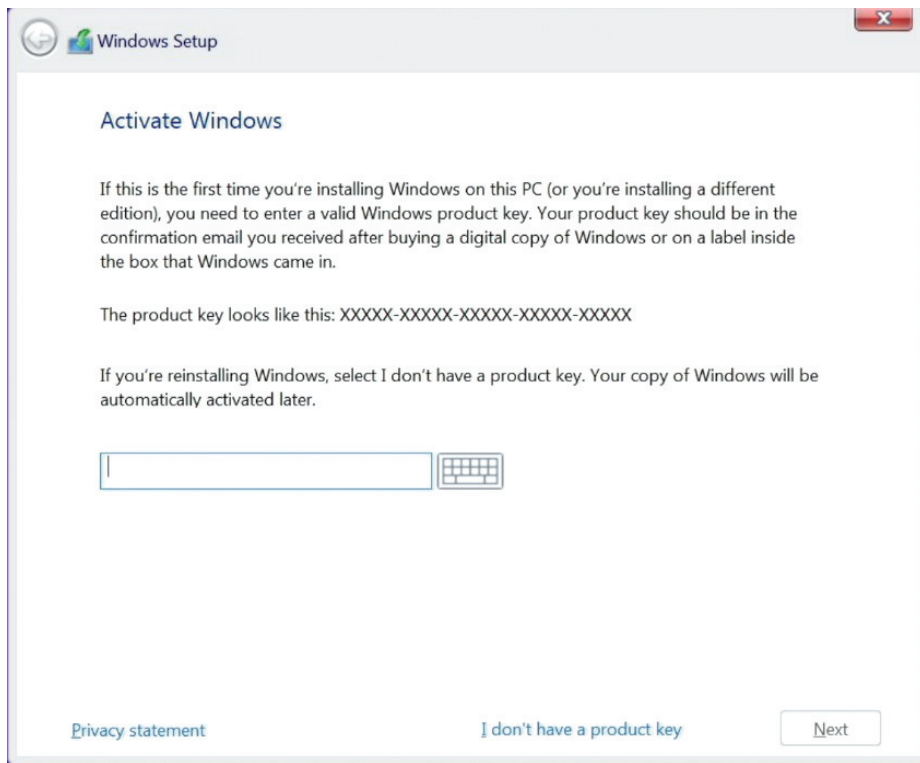


Screenshots may differ from what is shown.
Please refer to onscreen instructions.

5.5

Click **I don't have a product key** and click **Next** to continue it

Note: you can activate Windows later

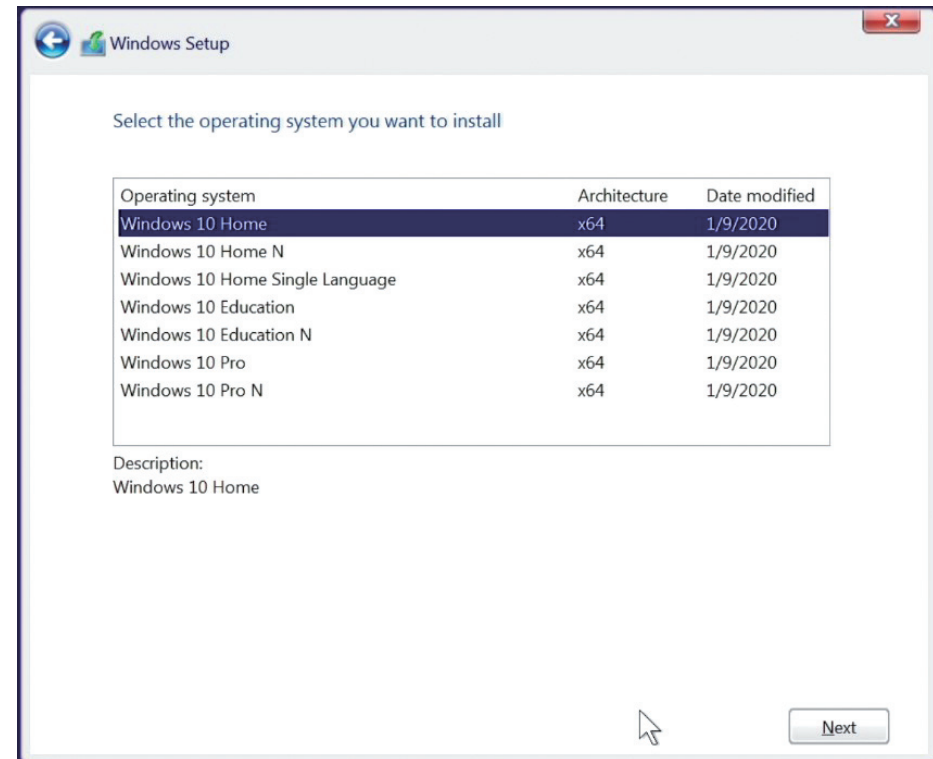


Screenshots may differ from what is shown.
Please refer to onscreen instructions.

5.6

Select and highlight the Windows license you have it, if this is trail, please select **Windows Home**.

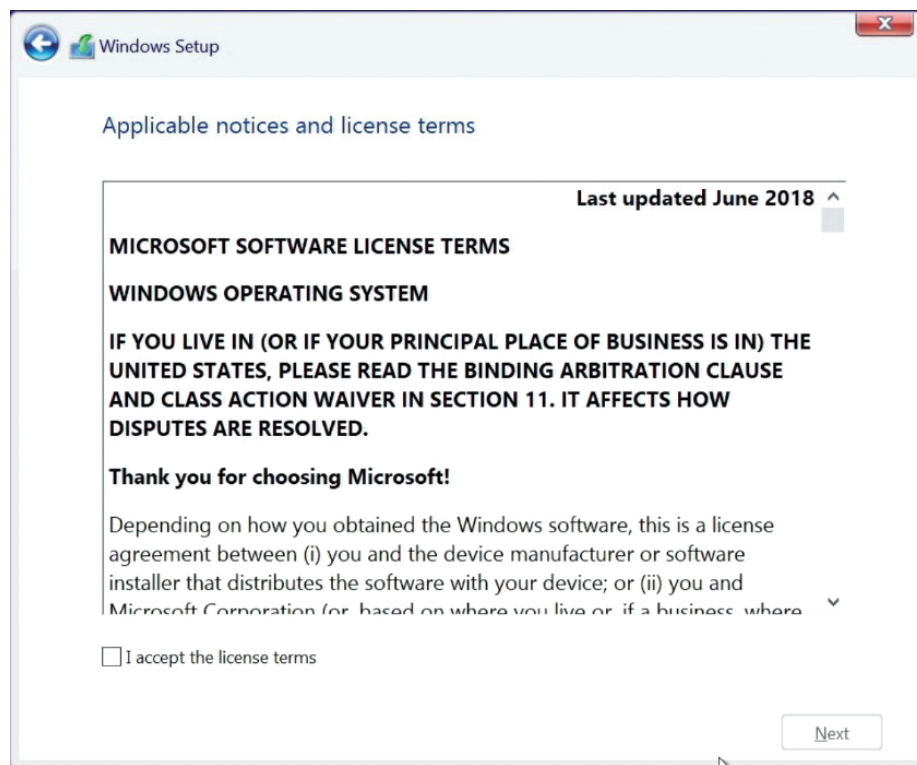
Click **Next** to continue it.



Screenshots may differ from what is shown.
Please refer to onscreen instructions.

5.7

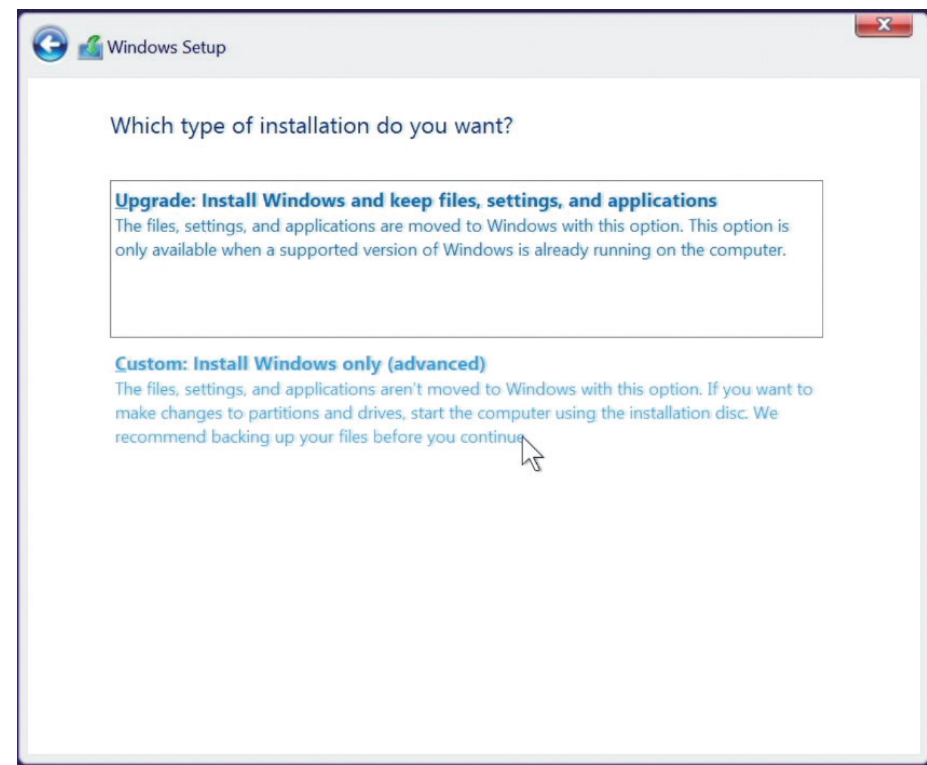
Review the license agreement, check **I accept the license terms** if no concern. Then click Next to continue it.



Screenshots may differ from what is shown.
Please refer to onscreen instructions.

5.8

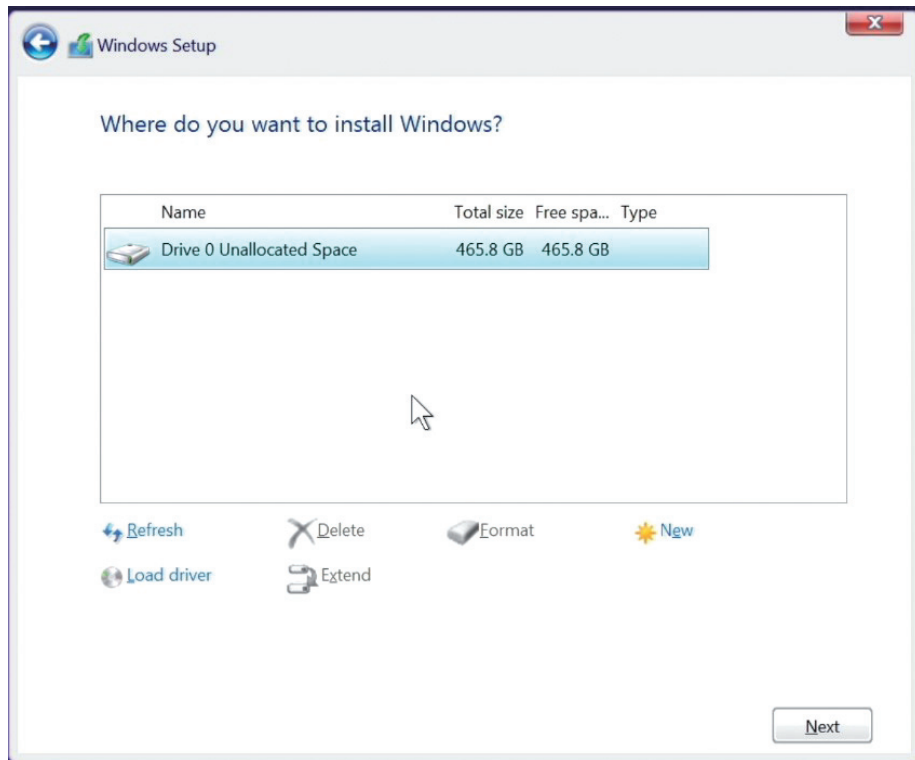
Select and highlight the **Custom: Install Windows only (advanced)**



Screenshots may differ from what is shown.
Please refer to onscreen instructions.

5.9

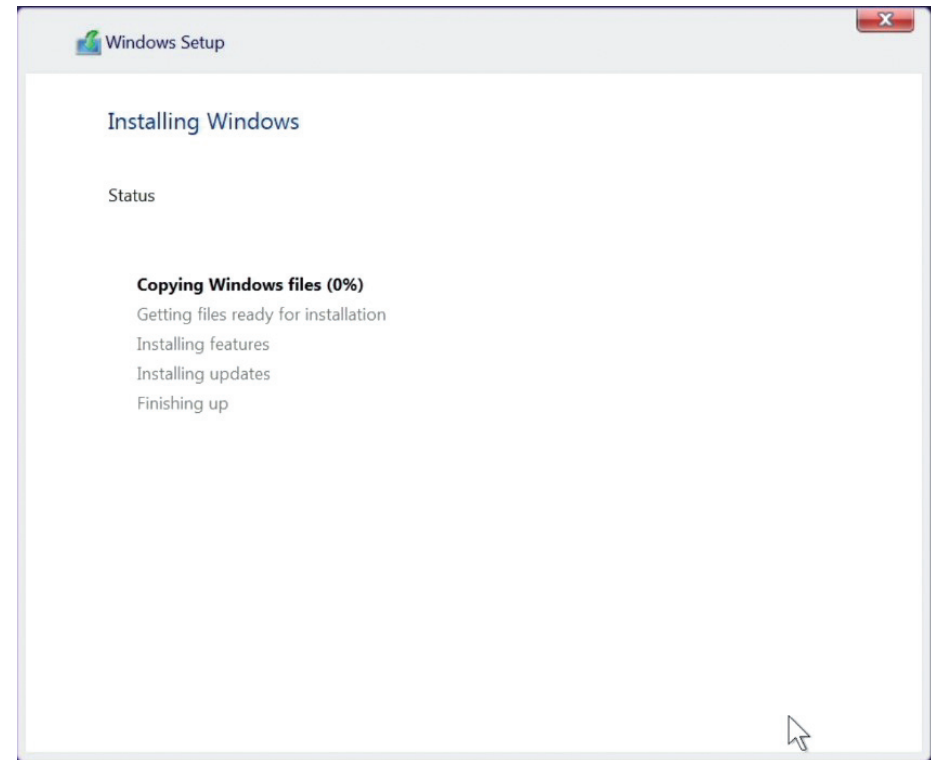
Select and highlight where the Windows going to be install. Then click **Next** to continue it.



Screenshots may differ from what is shown.
Please refer to onscreen instructions.

5.10

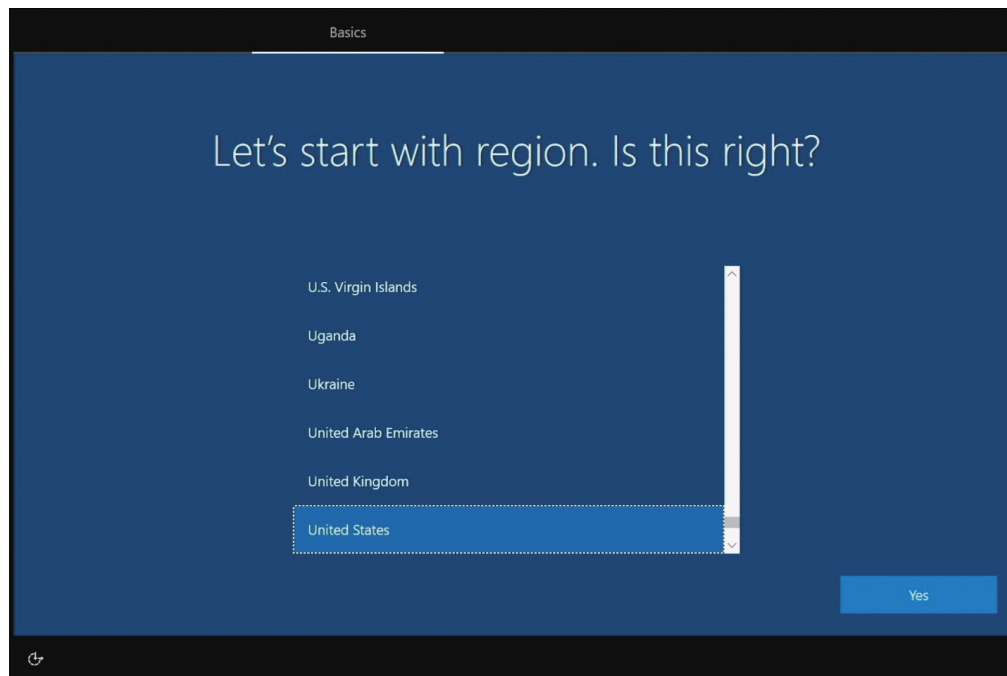
The system will start to install the Windows. You may see the system restart couple times, please wait until next step. **Do not interrupt or shot down the system**



Screenshots may differ from what is shown.
Please refer to onscreen instructions.

5.11

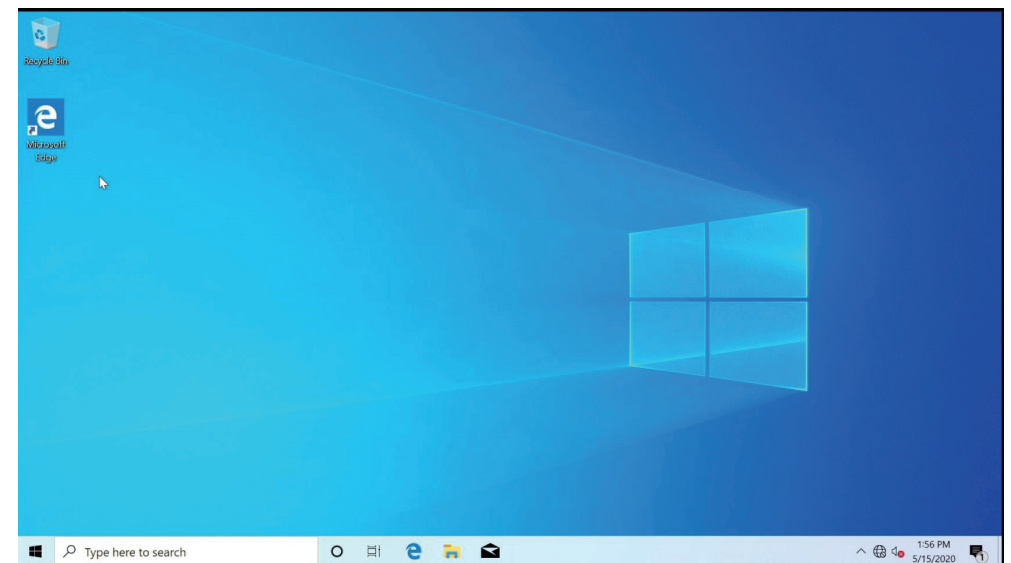
After installation completed, the system will restart and let you to setup Windows. Follow the on-screen instruction to continue setup the system.



Screenshots may differ from what is shown.
Please refer to onscreen instructions.

5.12

Congratulation!!! you have install and setting Windows 10 successfully.




Screenshots may differ from what is shown.
Please refer to onscreen instructions.

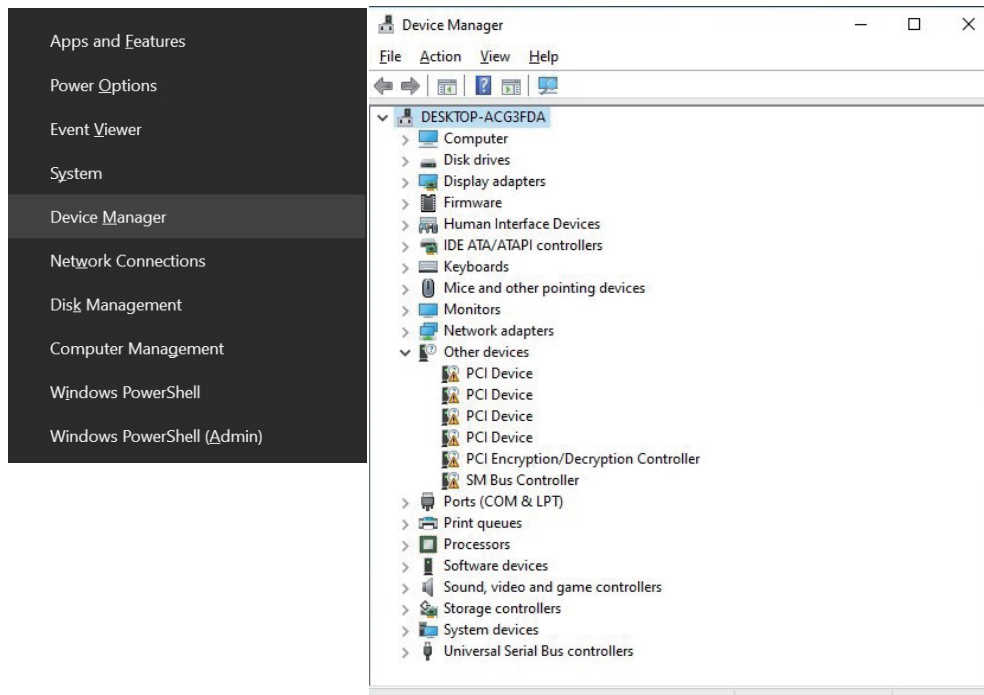
6. Updated Drivers and Install Applications.

6.1

Connect ethernet cable to the LAN port to have internet access.

Press **Window Key** (), **X** two keys together and click Device Manager to bring Device Manager

The exclamation mark devices under Other devices means those device don't have proper driver install and will not function properly.

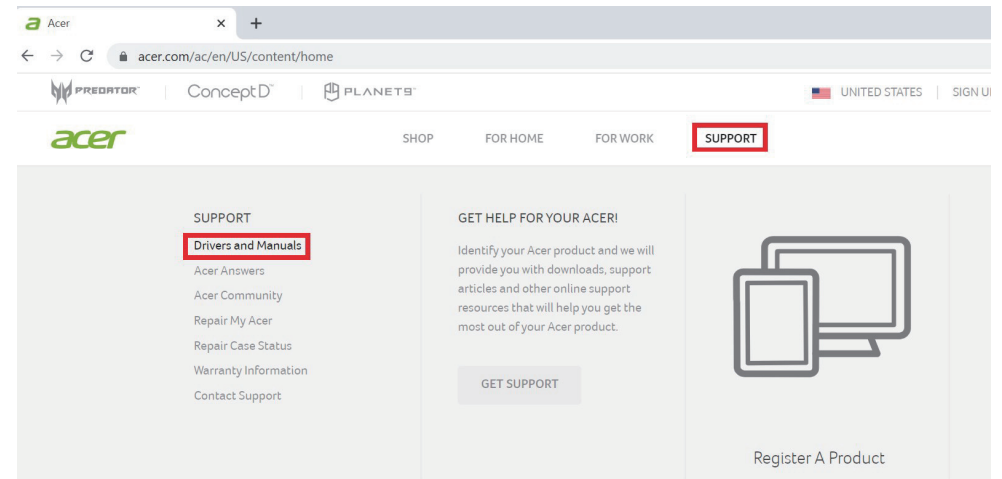


Screenshot may differ slightly than what is shown. Manual is design to provide guidance; please refer onscreen instruction for most up to date information.

Screenshots may differ from what is shown.
Please refer to onscreen instructions.

6.2

Open your browser and go to www.acer.com to download driver and application

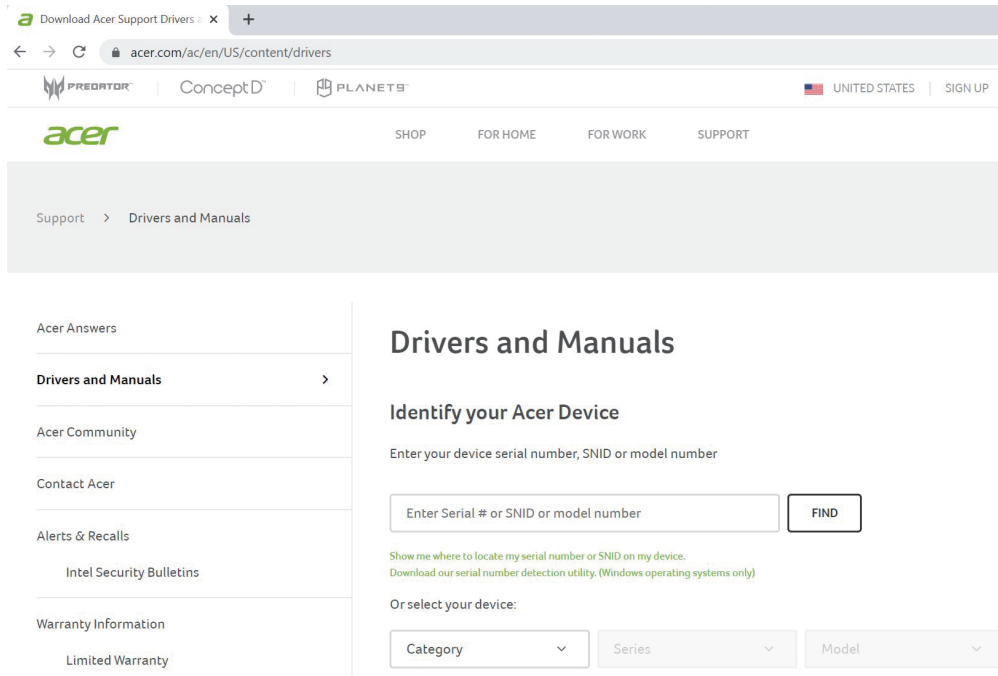


Screenshots may differ from what is shown.
Please refer to onscreen instructions.

6.3

Enter your system's serial number or model number to find the driver and application.

Or use select your device to find it.

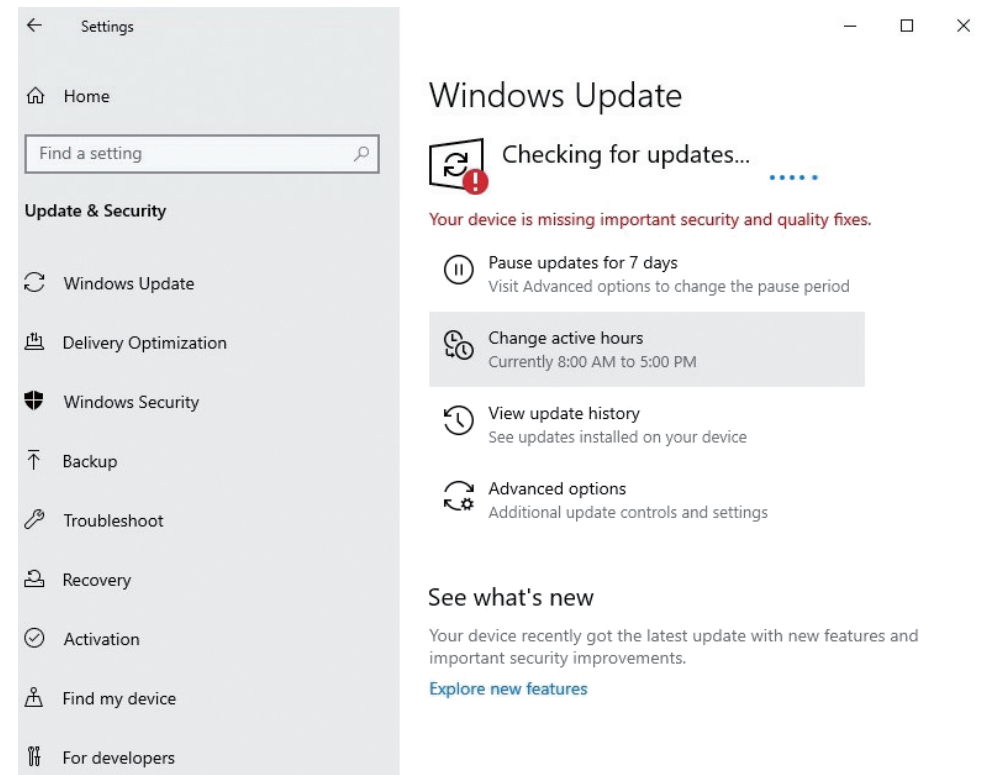


The screenshot shows the Acer Support Drivers website. The browser address bar displays 'acer.com/ac/en/US/content/drivers'. The page features the Acer logo and navigation links for 'SHOP', 'FOR HOME', 'FOR WORK', and 'SUPPORT'. A breadcrumb trail indicates 'Support > Drivers and Manuals'. On the left, a sidebar lists 'Acer Answers' with sub-links for 'Drivers and Manuals', 'Acer Community', 'Contact Acer', 'Alerts & Recalls', and 'Warranty Information'. The main content area is titled 'Drivers and Manuals' and contains the heading 'Identify your Acer Device'. Below this, there is a text input field for 'Enter your device serial number, SNID or model number' with a 'FIND' button. A link below the input field reads 'Show me where to locate my serial number or SNID on my device. Download our serial number detection utility. (Windows operating systems only)'. At the bottom, there are three dropdown menus labeled 'Category', 'Series', and 'Model'.

Screenshots may differ from what is shown.
Please refer to onscreen instructions.

6.4

The Windows Updates not only can patch Windows security, but also improve the system's stability and install the driver for you.



The screenshot shows the Windows Settings application, specifically the 'Update & Security' section. The 'Windows Update' option is selected. The main content area displays 'Windows Update' with a status of 'Checking for updates...'. A red notification icon indicates that 'Your device is missing important security and quality fixes.' Below this, there are several options: 'Pause updates for 7 days' (with a sub-link to 'Visit Advanced options to change the pause period'), 'Change active hours' (currently set to 8:00 AM to 5:00 PM), 'View update history' (with a sub-link to 'See updates installed on your device'), and 'Advanced options' (with a sub-link to 'Additional update controls and settings'). At the bottom, there is a section titled 'See what's new' with a sub-link to 'Explore new features'.

Screenshots may differ from what is shown.
Please refer to onscreen instructions.

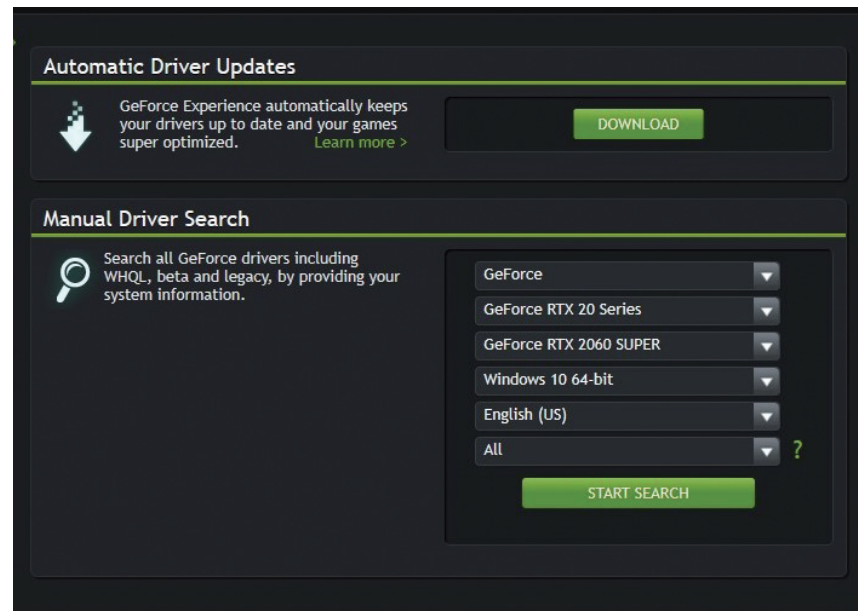
6.5 Install the latest video card driver

Open your browser and go to www.nvidia.com to download latest driver and application for GeForce RTX 2060 Super

Execute the file you just download, follow on screen instruction to complete the installation.

Click **DRIVERS** → **GEFORCE DRIVERS** → , change selection to GeForce RTX 20 Series, GeForce RTX 2060 Super, and click START SEARCH.

Click and Download the latest version.



Screenshots may differ from what is shown.
Please refer to onscreen instructions.

Warranty Length/Type	1 Year Limited: Parts only *
Hardware Technical Support	1 Year
Service Website	http://www.acersupport.com
Service Phone Number	866-506-1960 (United States, Canada)

Functional Defect only. Customer Induced Damage not included in the warranty.



ZL.OTHCC.019